



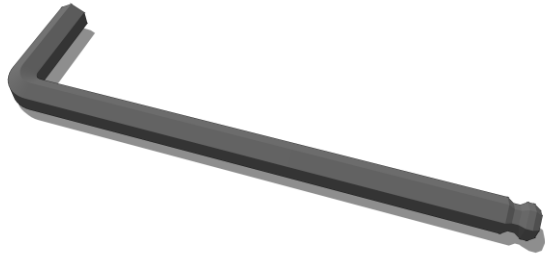
Assembly manual



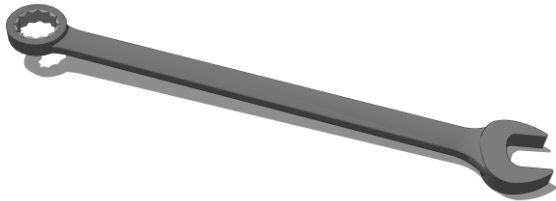
SOGECO S.A.
L I V I N G

Tools needed

To unpack bundle

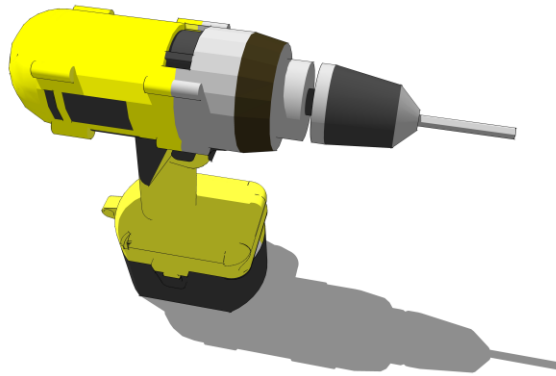


14mm allen key



30mm spanner key

To assemble posts



***High speed drill
with 12mm allen
key***

To fit panels

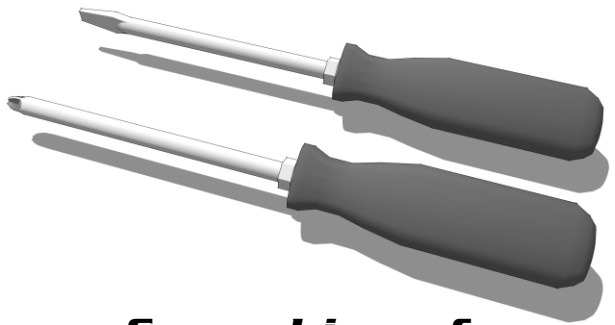


***14mm and 17mm
spanner keys***

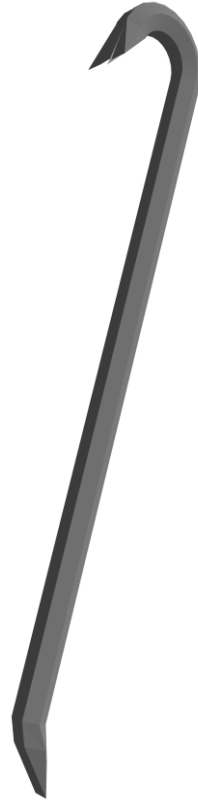


Tools needed

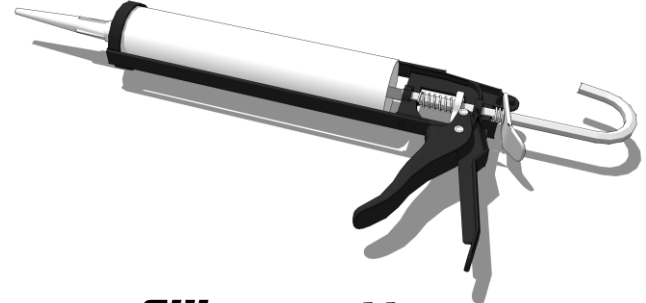
For finishing



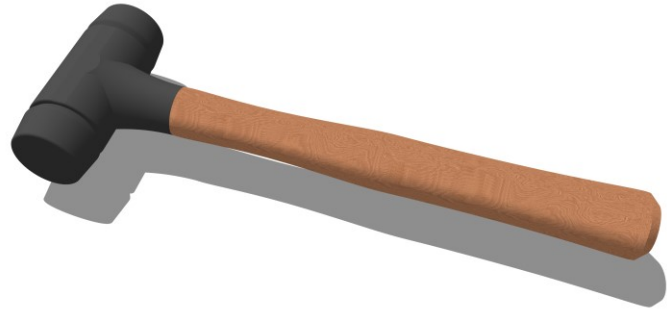
***Screw drivers for
slotted and cross
head screws***



Crowbar



Silicon putty



Hammer



Rubber gloves



1

2

3

4

5

6

7

8

A

B

C

D

E

F

A

B

C

D

E

F



1

2

3

4

5

6

7

WARNING:

Do not handle the bundle with forklift truck or side stacker



1

2

3

4

5

6

7

8

A

B

C

D

E

F

A

B

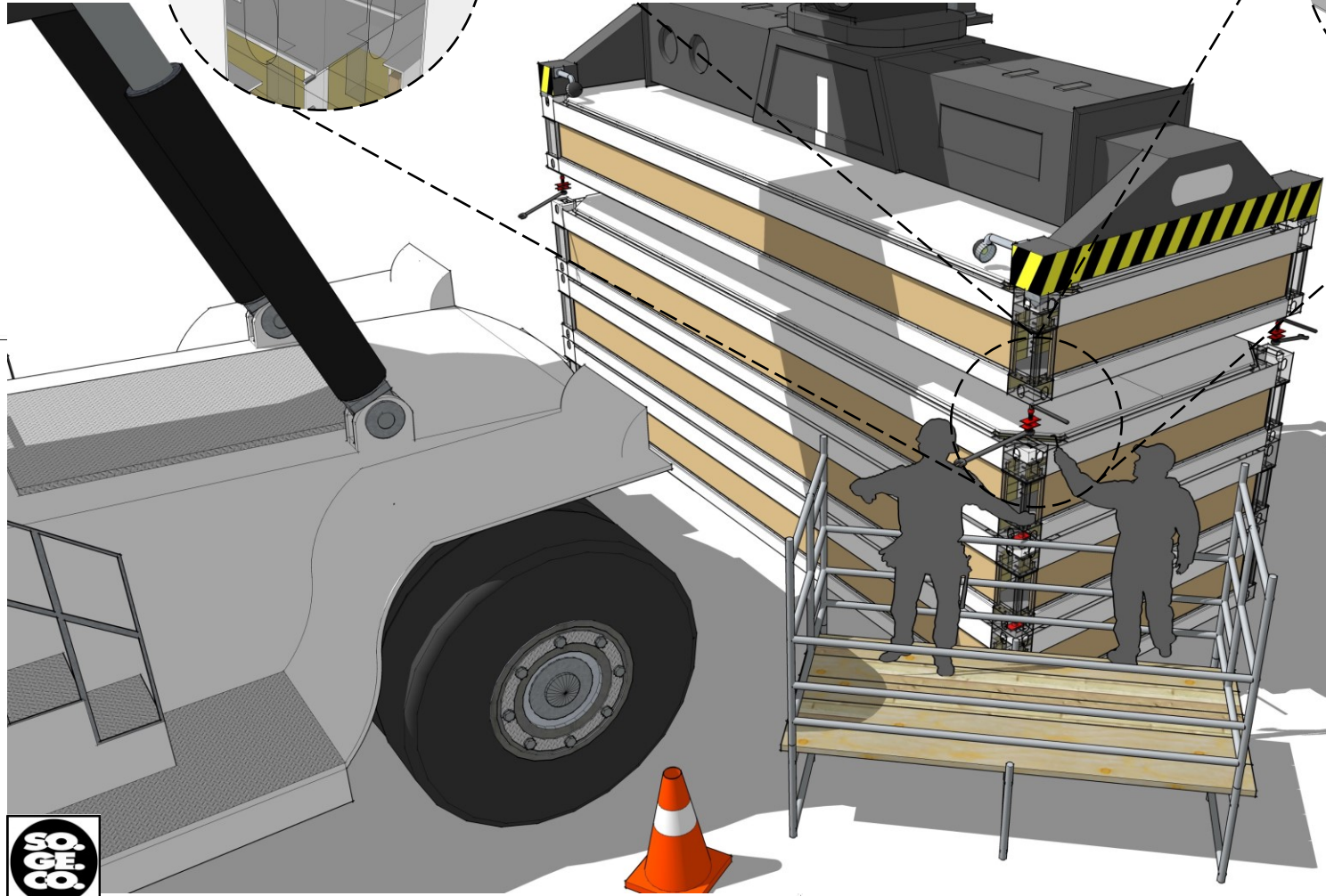
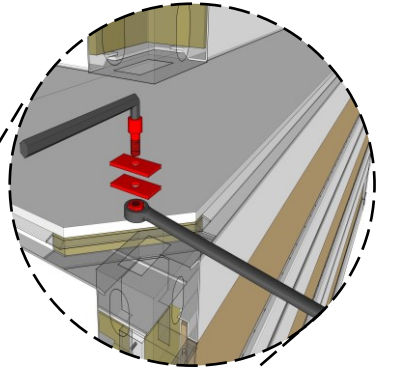
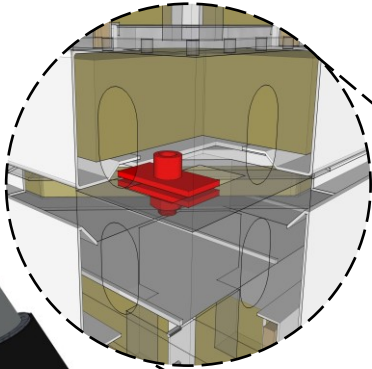
C

D

E

F

Remove all the screws locking the corner castings of the kit



1

2

3

4

5

6

7

1

2

3

4

5

6

7

8

A

A

Do not lift more than 1 kit at a time

B

B

C

C

D

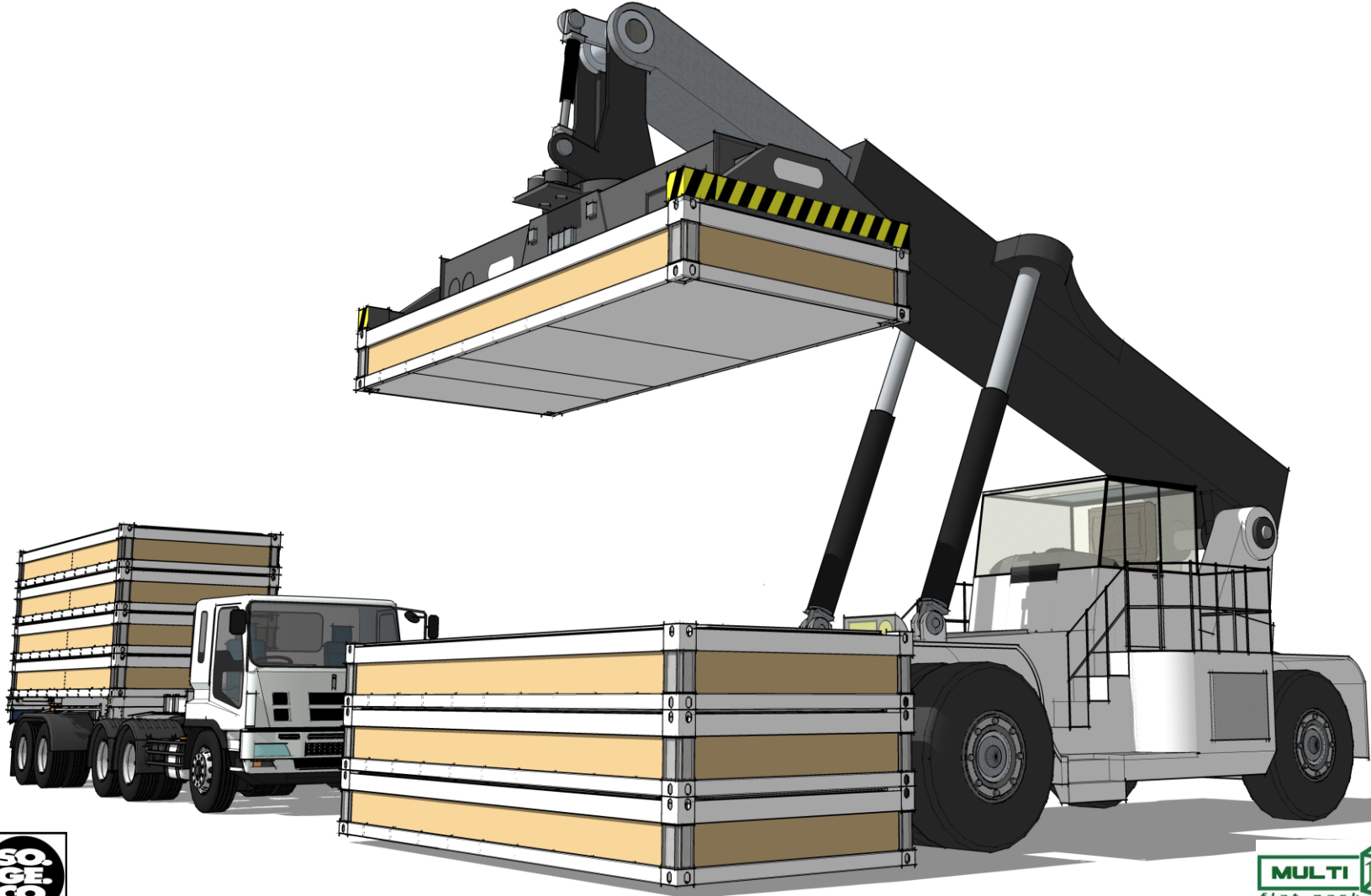
D

E

E

F

F



1

2

3

4

5

6

7

1

2

3

4

5

6

7

8

A

A

Position the kit in the assembly area

B

B

C

C

D

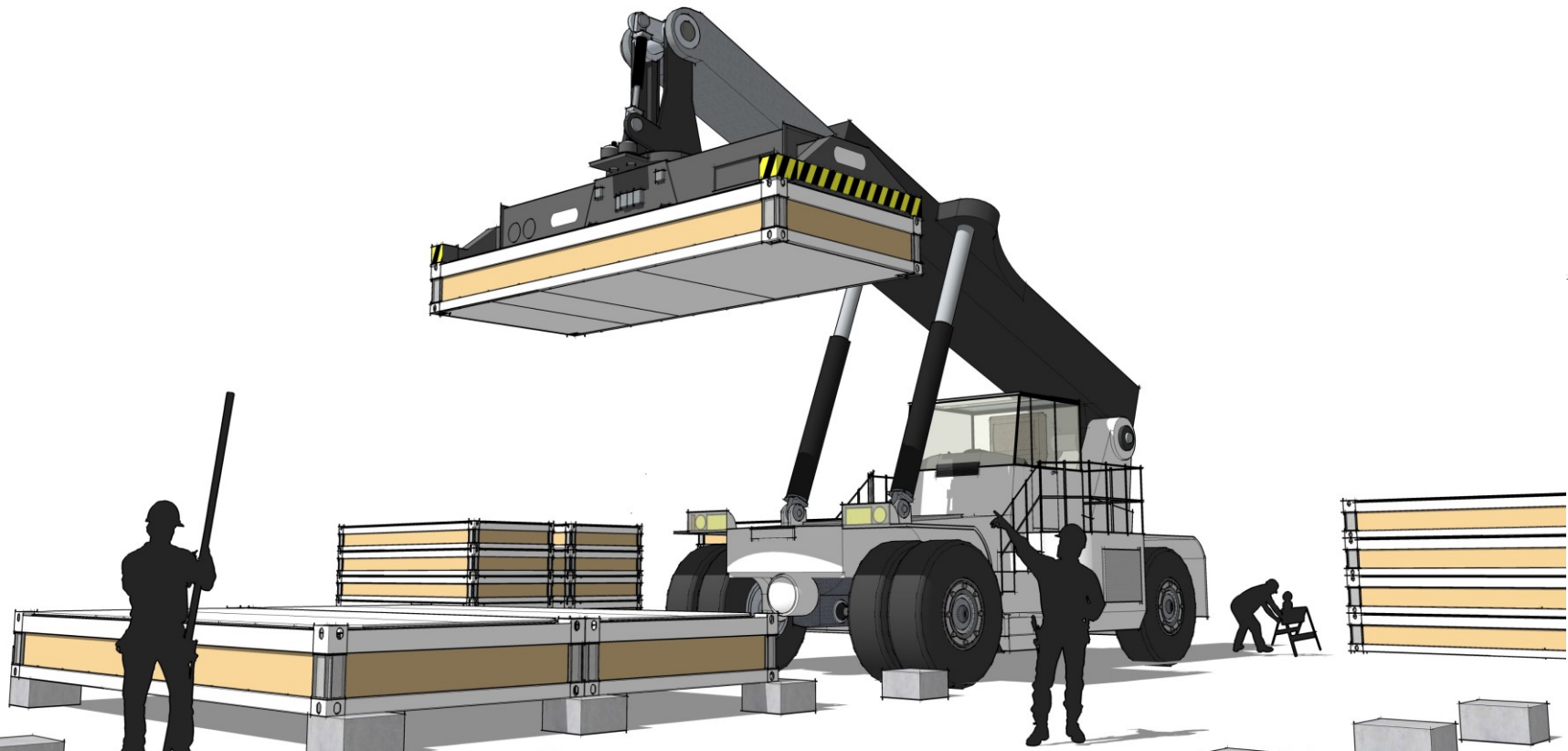
D

E

E

F

F



1

2

3

4

5

6

7

1

2

3

4

5

6

7

8

A

B

C

D

E

F

A

B

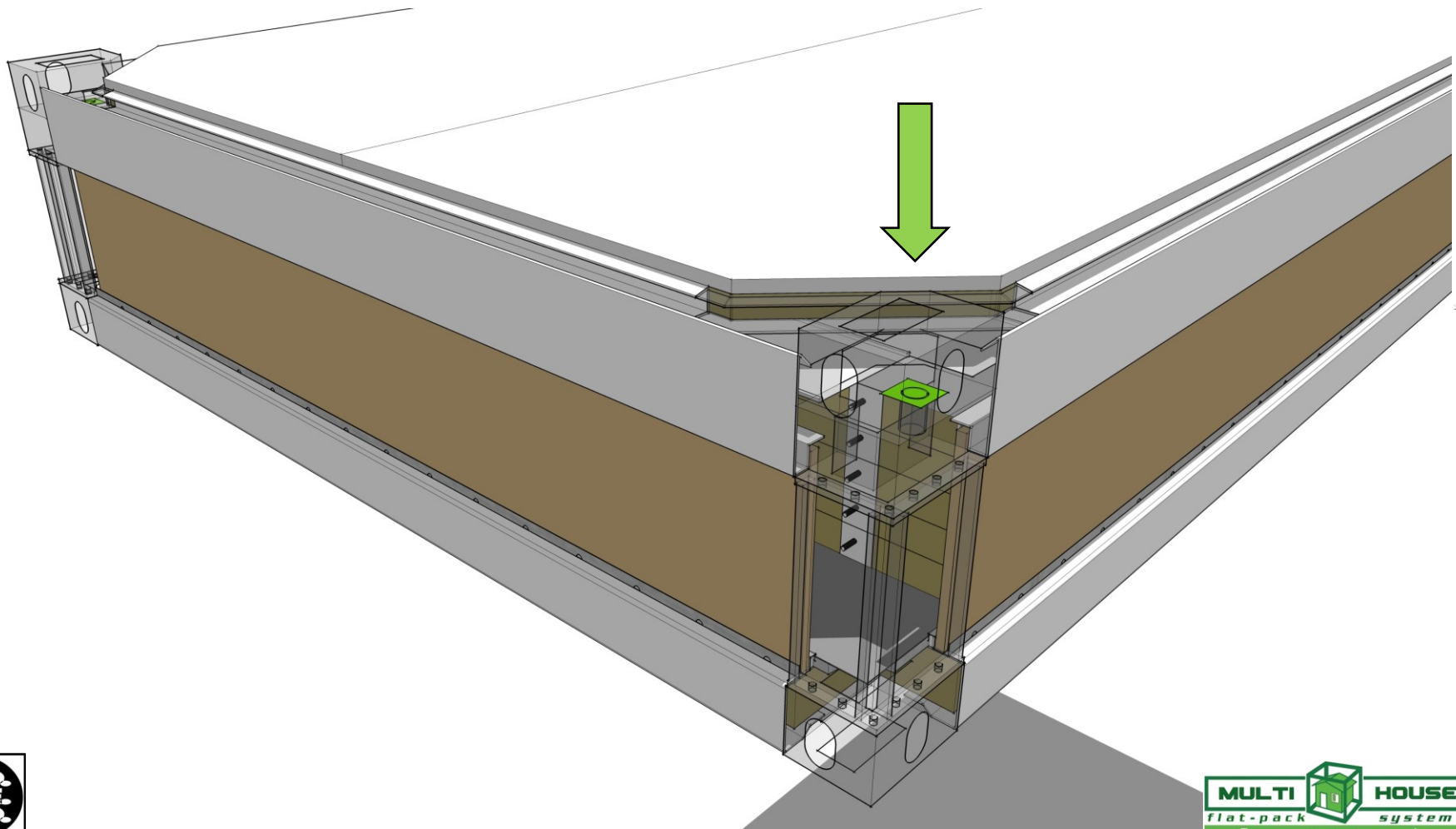
C

D

E

F

Remove the caps sealing the hole of the roof drain pipes



1

2

3

4

5

6

7

8

A

A

Remove the screws locking the bundling columns

B

B

C

C

D

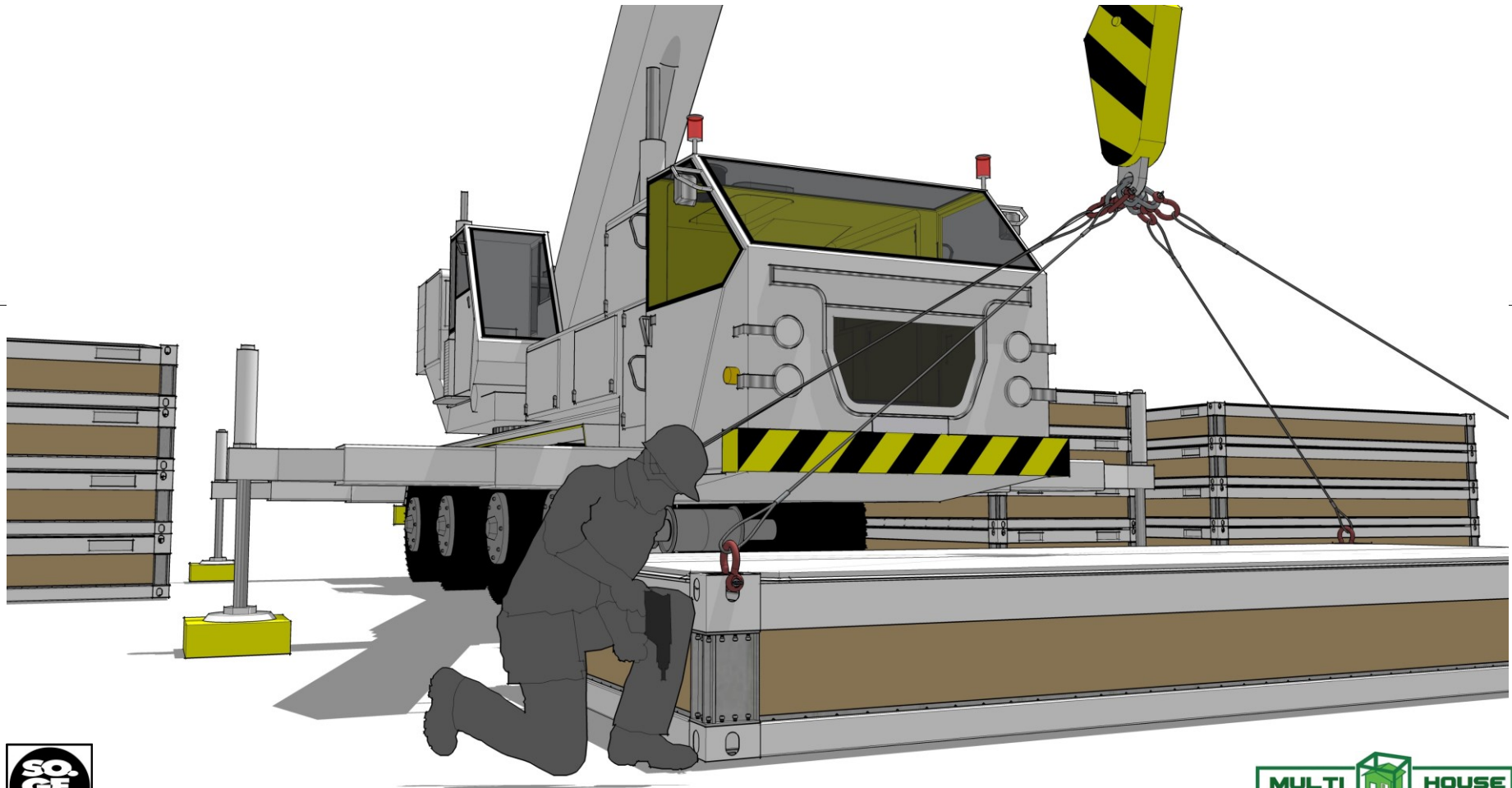
D

E

E

F

F



1

2

3

4

5

6

7

1

2

3

4

5

6

7

8

A

A

Lift the roof through the holes of the corner castings

B

B

C

C

D

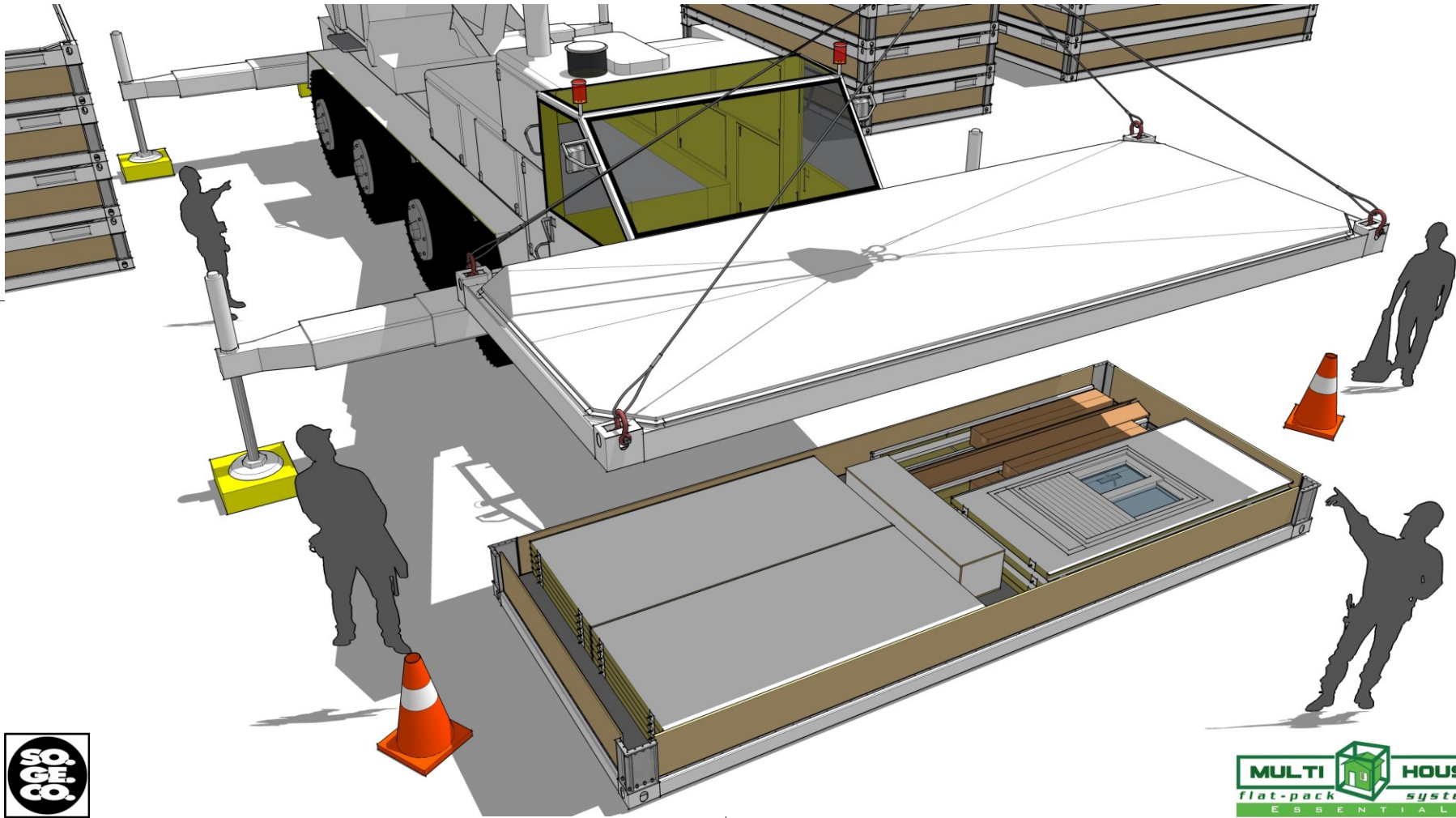
D

E

E

F

F



1

2

3

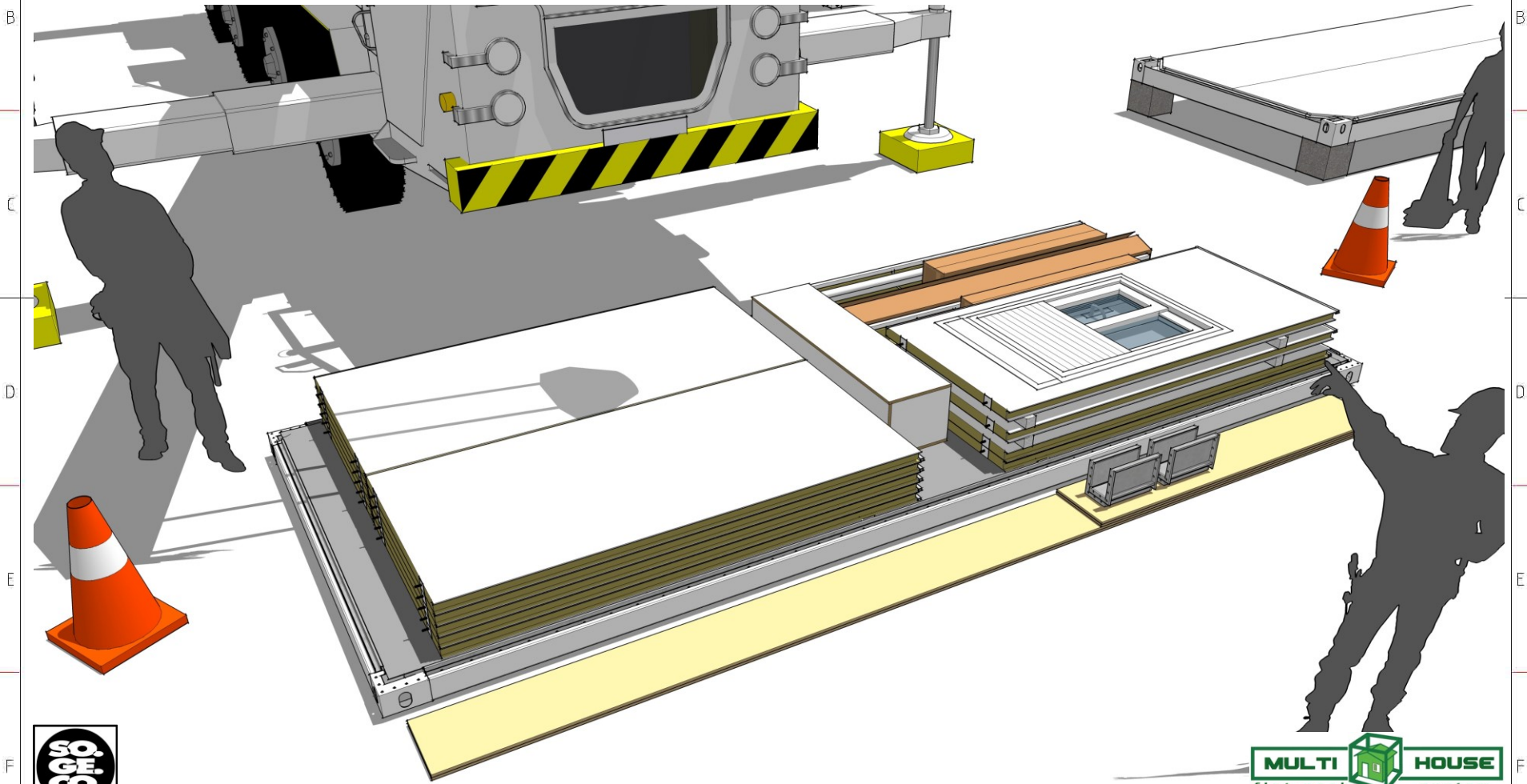
4

5

6

7

The kit contains all necessary components for a proper assembly



1

2

3

4

5

6

7

8

A

A

Remove all the components from the base

B

B

C

C

D

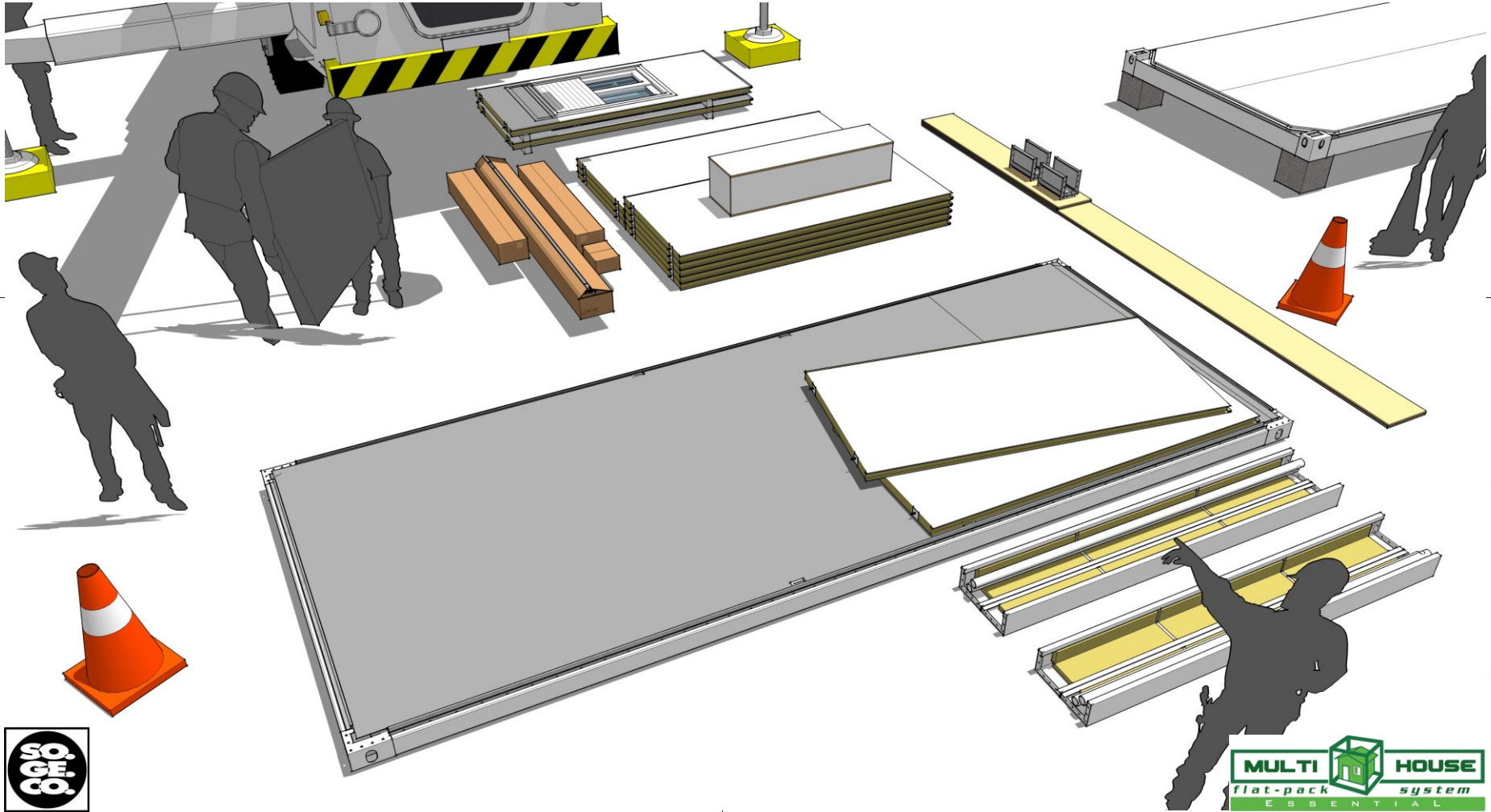
D

E

E

F

F



1

2

3

4

5

6

7

8

A

A

Position the corner posts

B

B

C

C

D

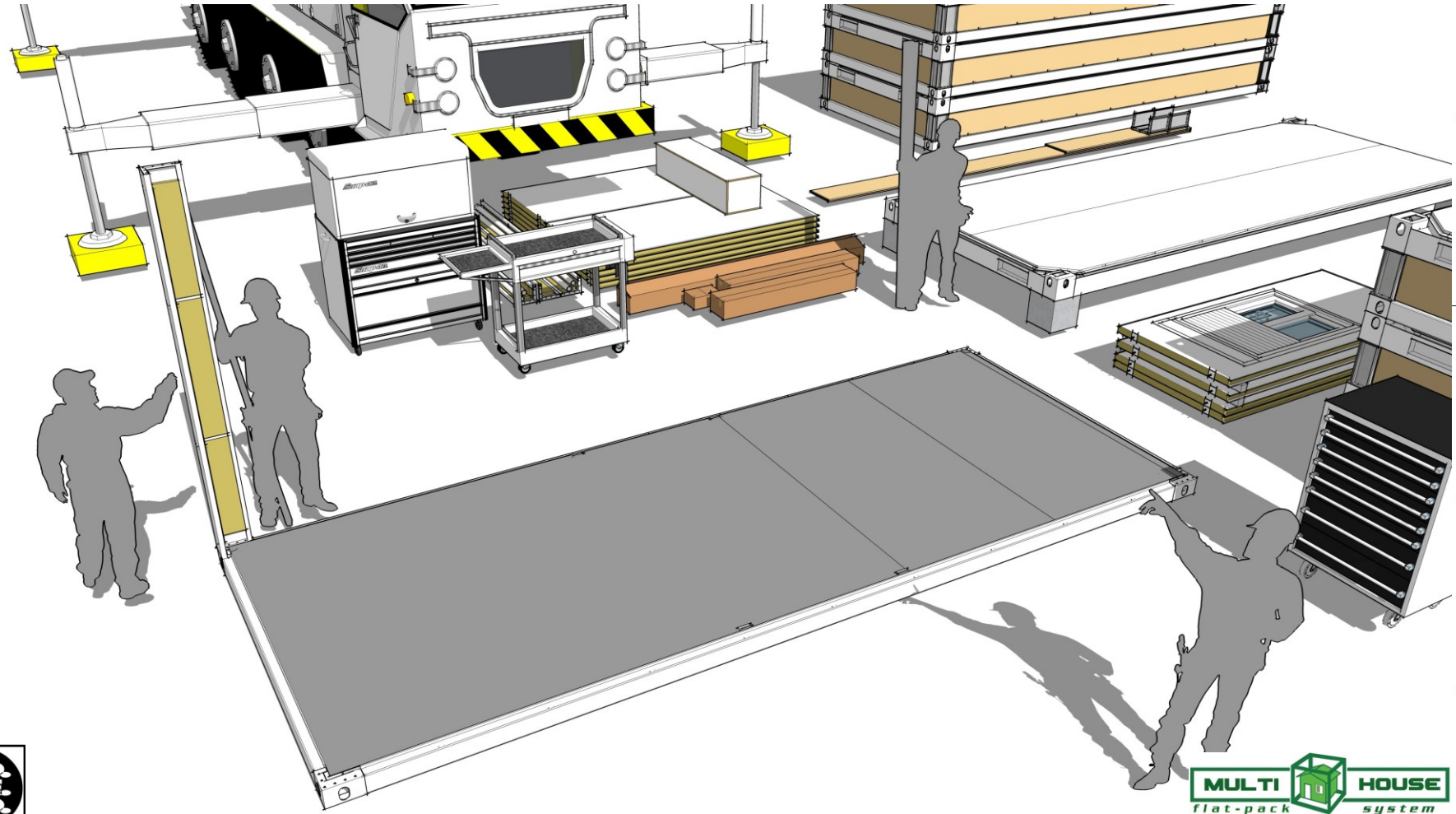
D

E

E

F

F



1

2

3

4

5

6

7

Fix the corner post by using M12 x 40 screws. Keep it loose to allow adjustment when installing the roof



1

2

3

4

5

6

7

8

A

B

C

D

E

F

A

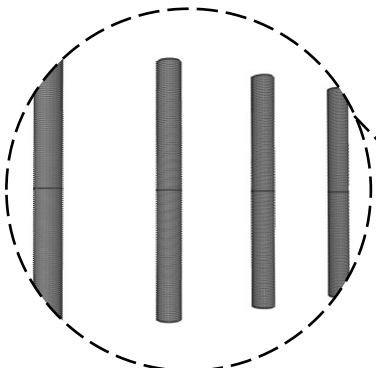
B

C

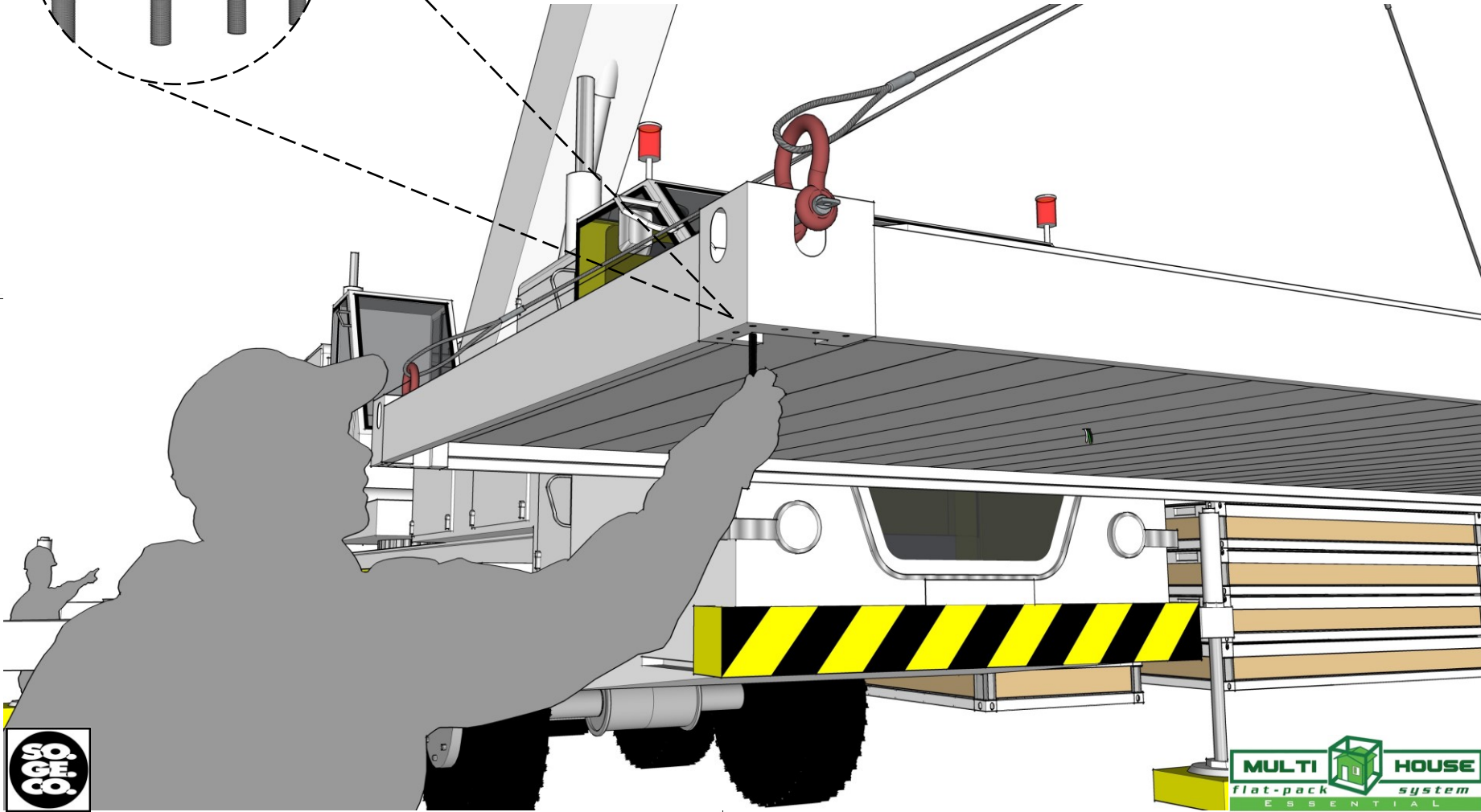
D

E

F



Insert 4 threaded pins, one on each corner of roof frame – this is for easy corner posts to roof frame installation



1

2

3

4

5

6

7

8

A

A

Position the roof frame

B

B

C

C

D

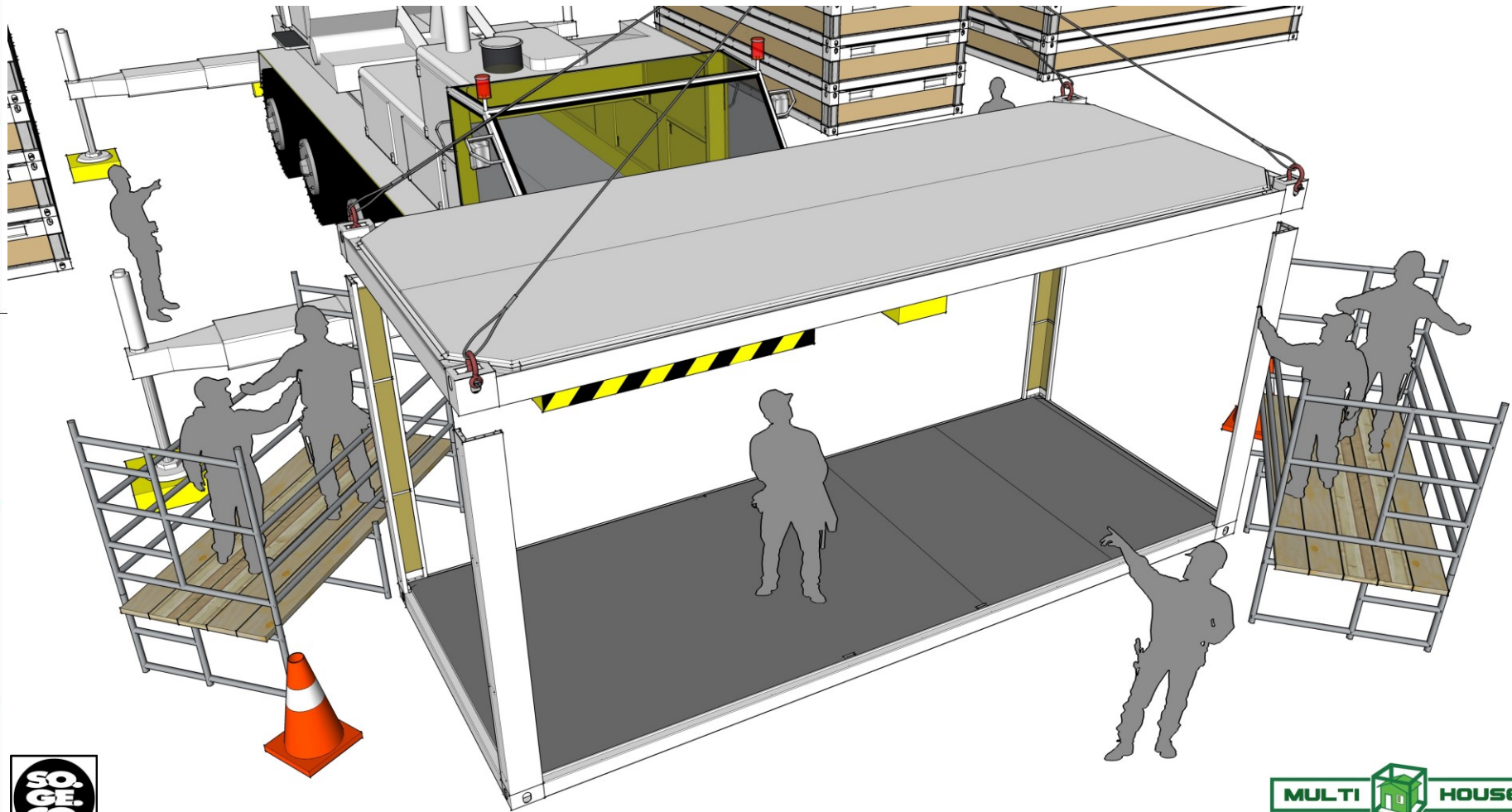
D

E

E

F

F



1

2

3

4

5

6

7

1

2

3

4

5

6

7

8

A

A

Once the roof frame is set, tighten the nut of the threaded pins

B

B

C

C

D

D

E

E

F

F



1

2

3

4

5

6

7

1

2

3

4

5

6

7

8

A

A

Tighten all screws on all 4 corner posts

B

B

C

C

D

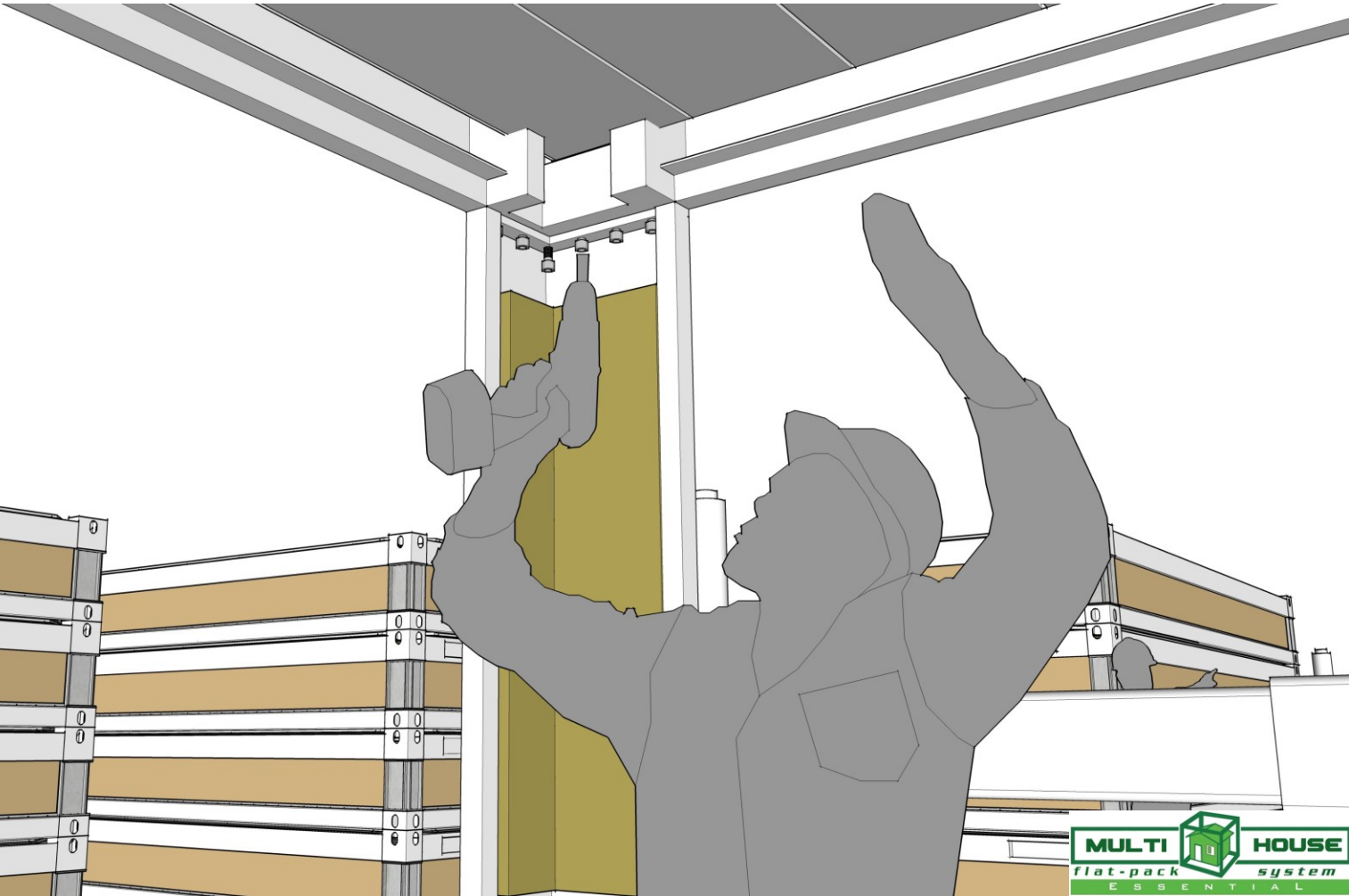
D

E

E

F

F



1

2

3

4

5

6

7

1

2

3

4

5

6

7

8

A

A

***Seal the bottom joints between
the floor frame and corner
posts with silicon***

B

B

C

C

D

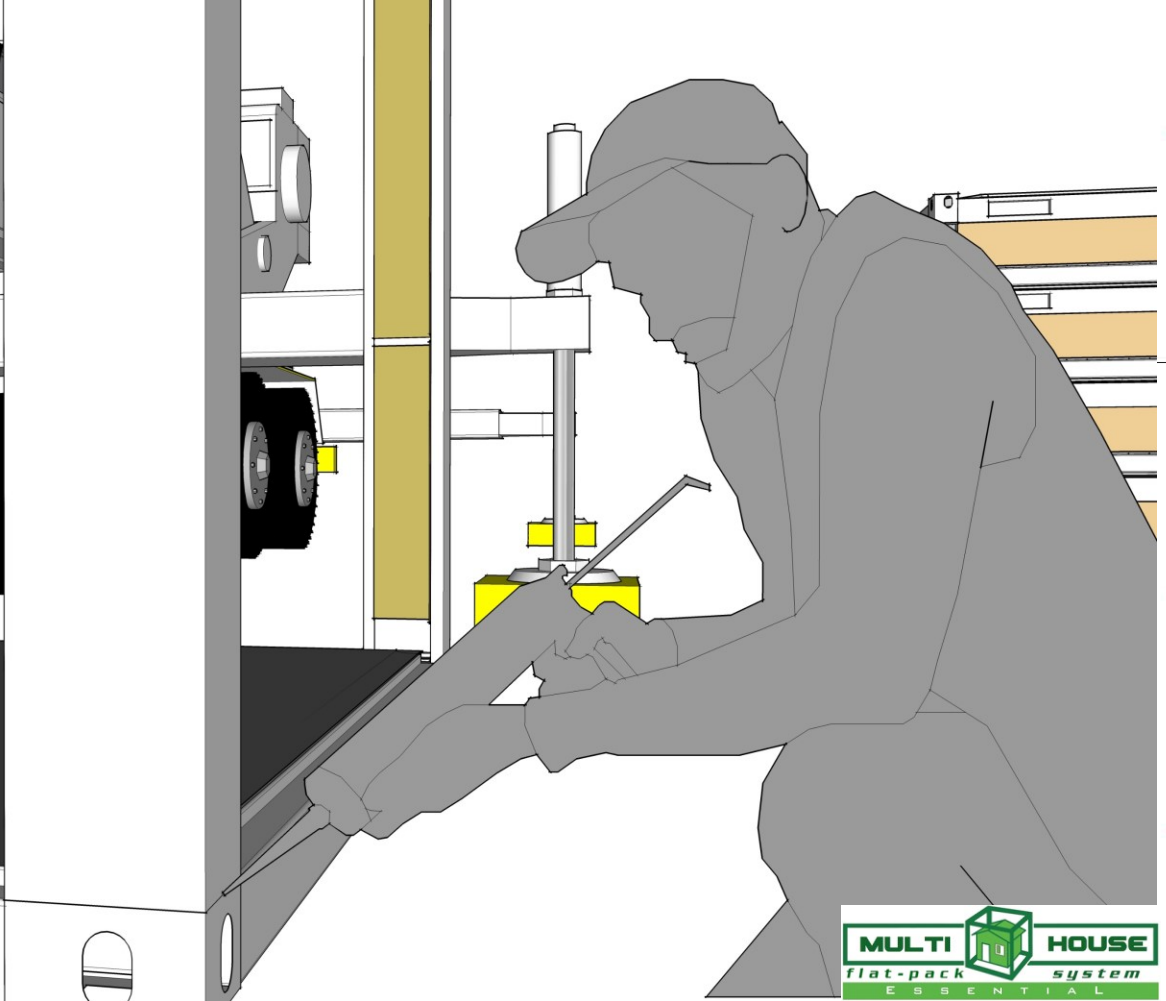
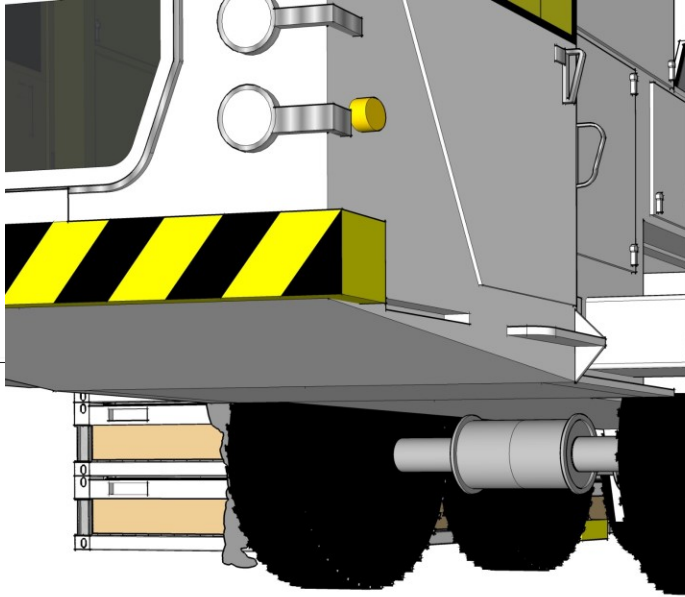
D

E

E

F

F



1

2

3

4

5

6

7

1

2

3

4

5

6

7

8

A

A

Seal the top joints between the roof frame and corner posts with silicon

B

B

C

C

D

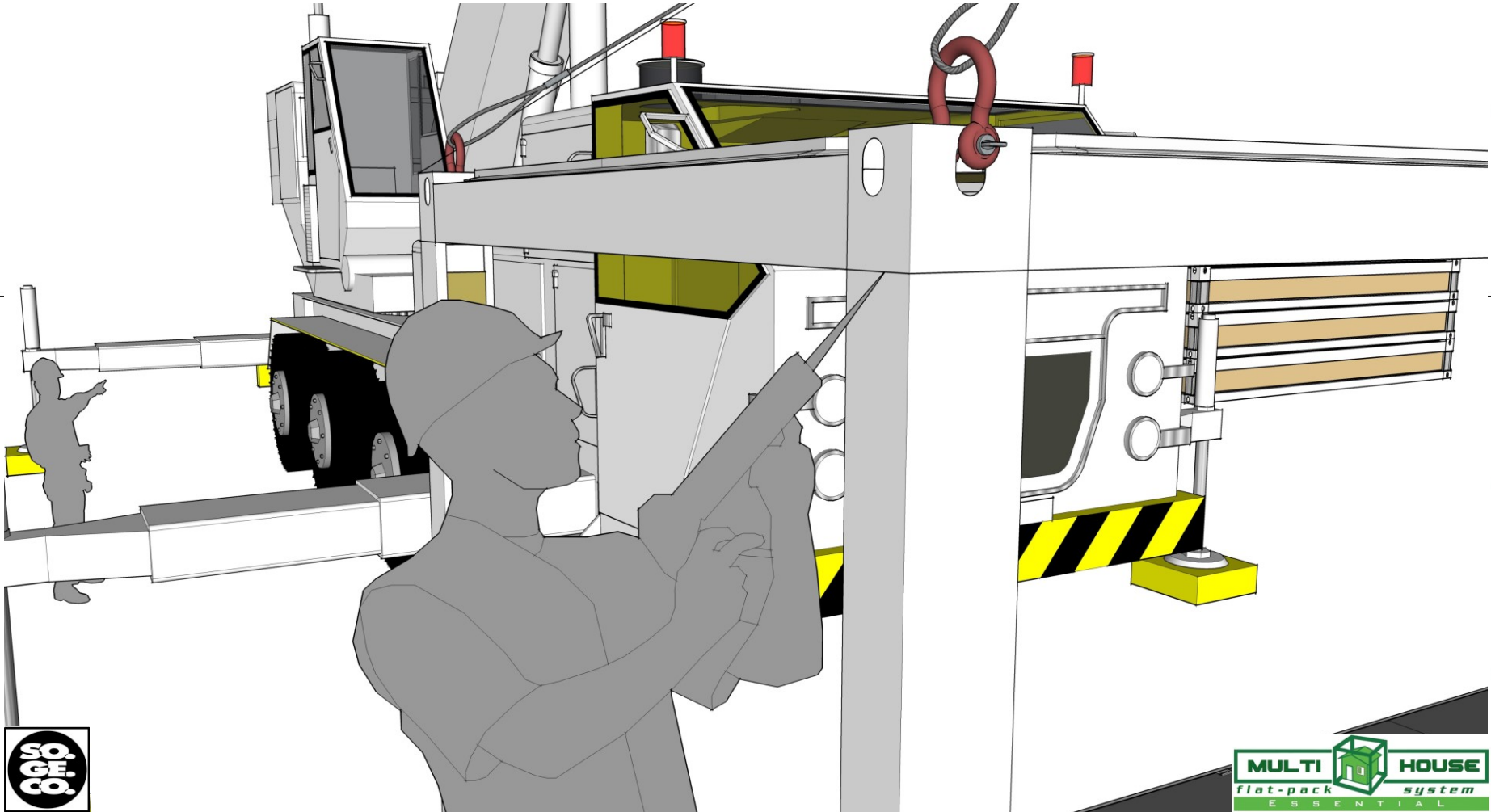
D

E

E

F

F



1

2

3

4

5

6

7

1

2

3

4

5

6

7

8

A

A

B

B

C

C

D

D

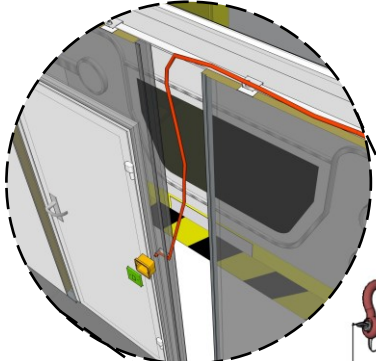
E

E

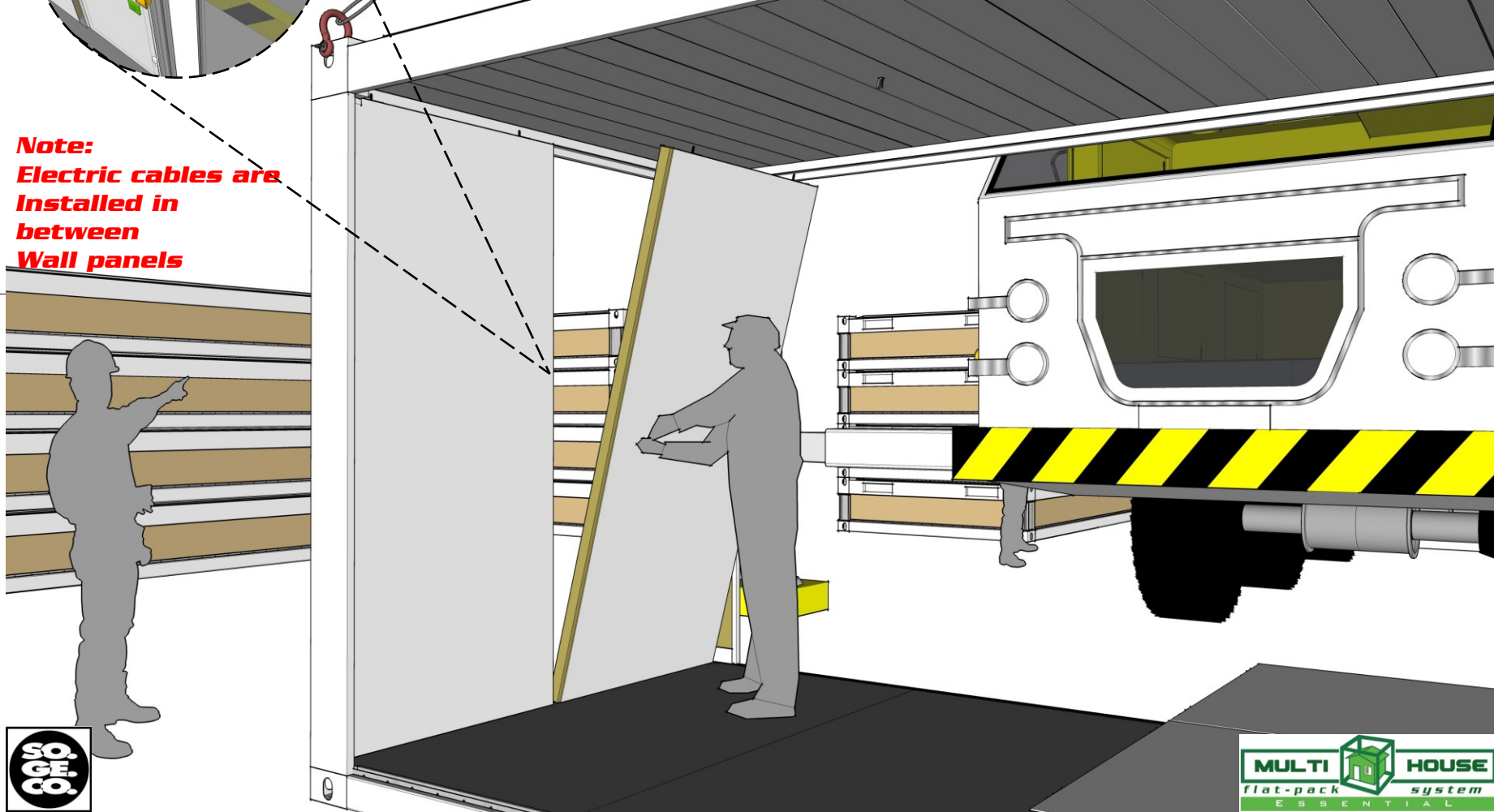
F

F

**Install panels, door/s and window/s
as per approved drawings**



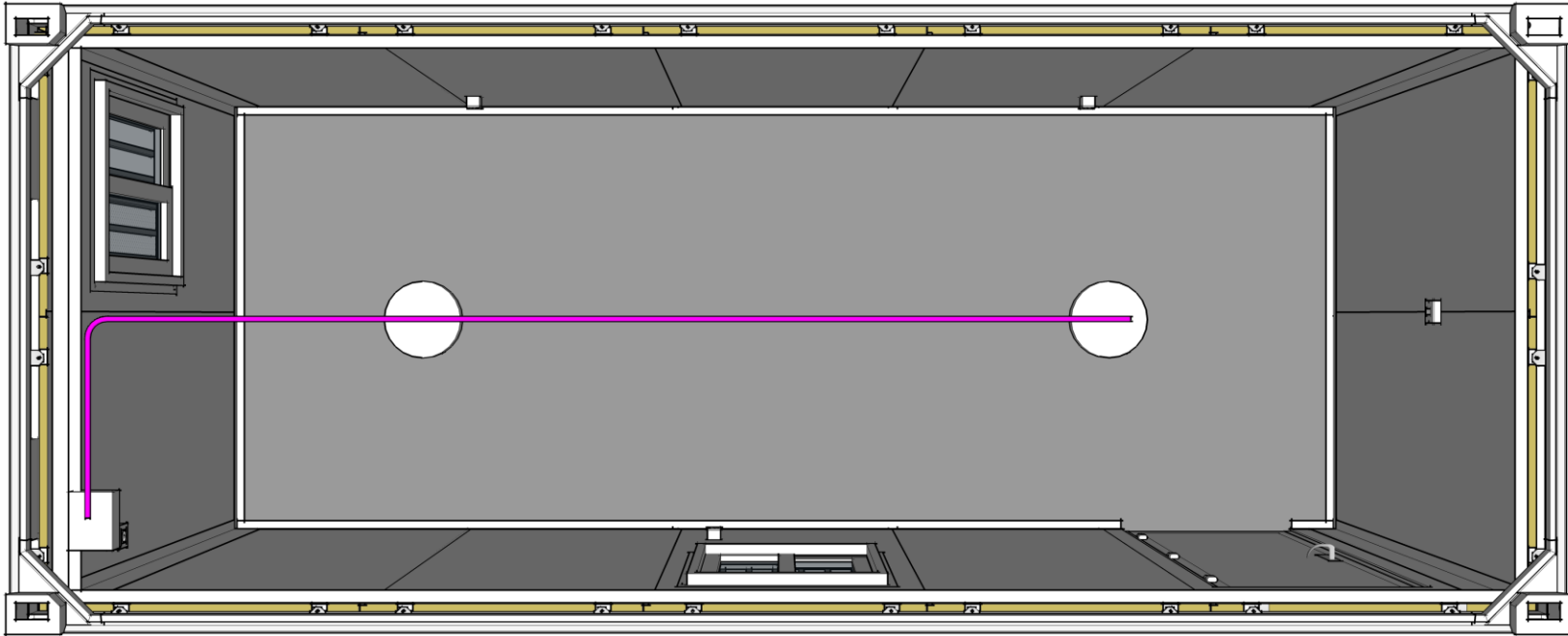
Note:
**Electric cables are
Installed in
between
Wall panels**



1 2 3 4 5 6 7 8

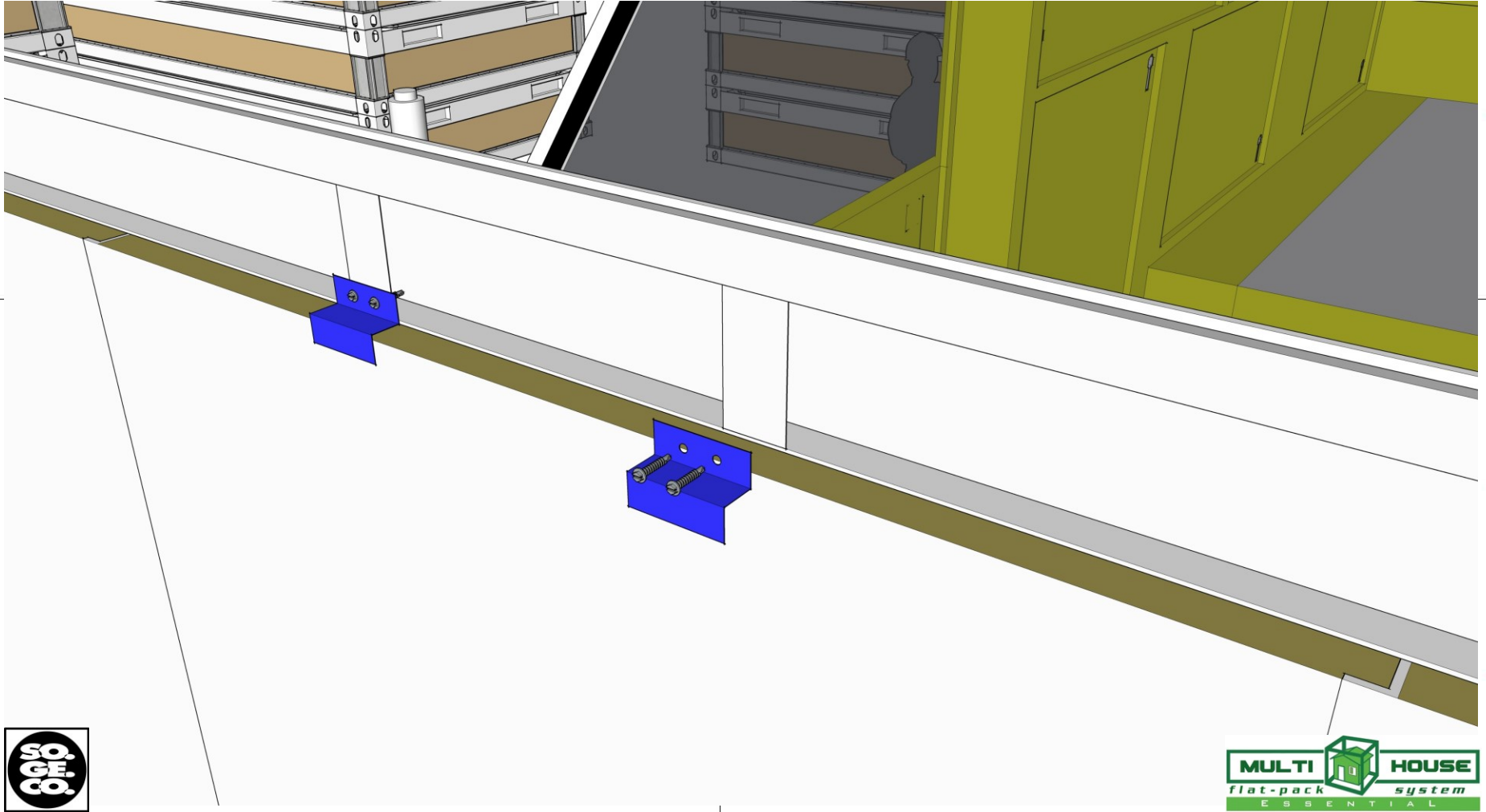
A
B
C
D
E
F

Approved layout



1 2 3 4 5 6 7 8

***Install the bended locking plates
on the top of the panel***



1

2

3

4

5

6

7

8

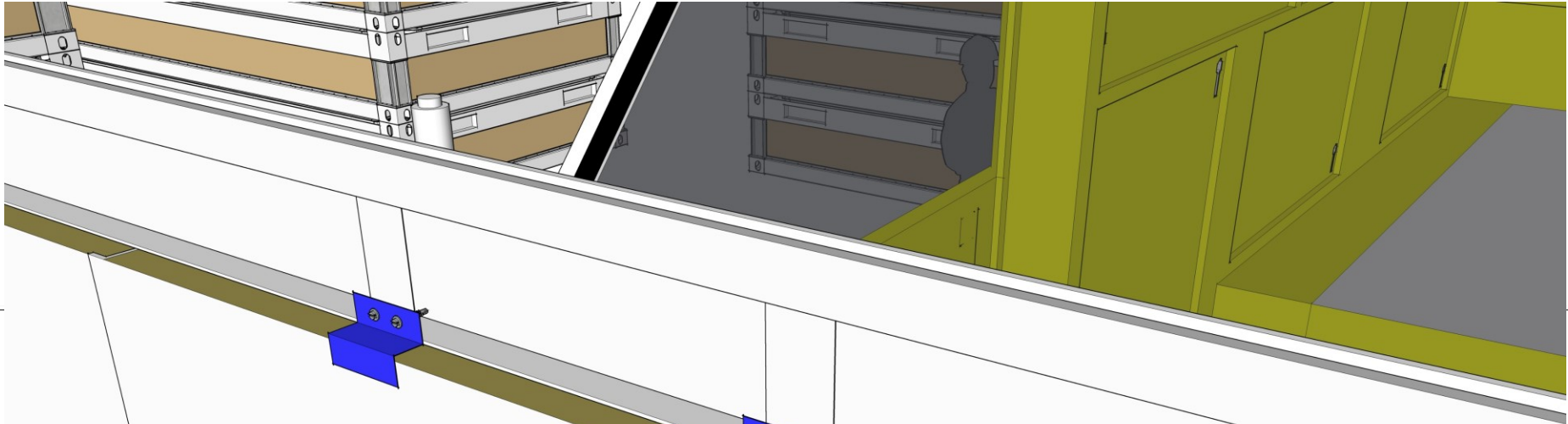
A

A

**Fix the bended locking plates
with
2 x self drilling screws**

B

B



C

C

D

D

E

E

F

F



1

2

3

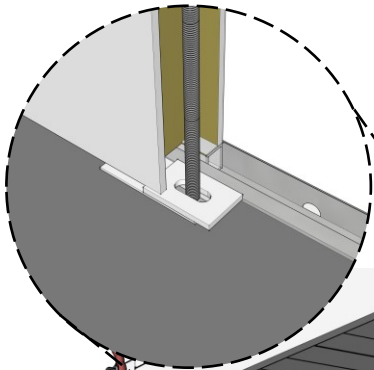
4

5

6

7

Install the M10 full threaded iron rod on the middle of the long side (location is after the 2nd and after the 3rd wall panel)



1

2

3

4

5

6

7

8

A

A

Insert the threaded iron rod locking plate

B

B

C

C

D

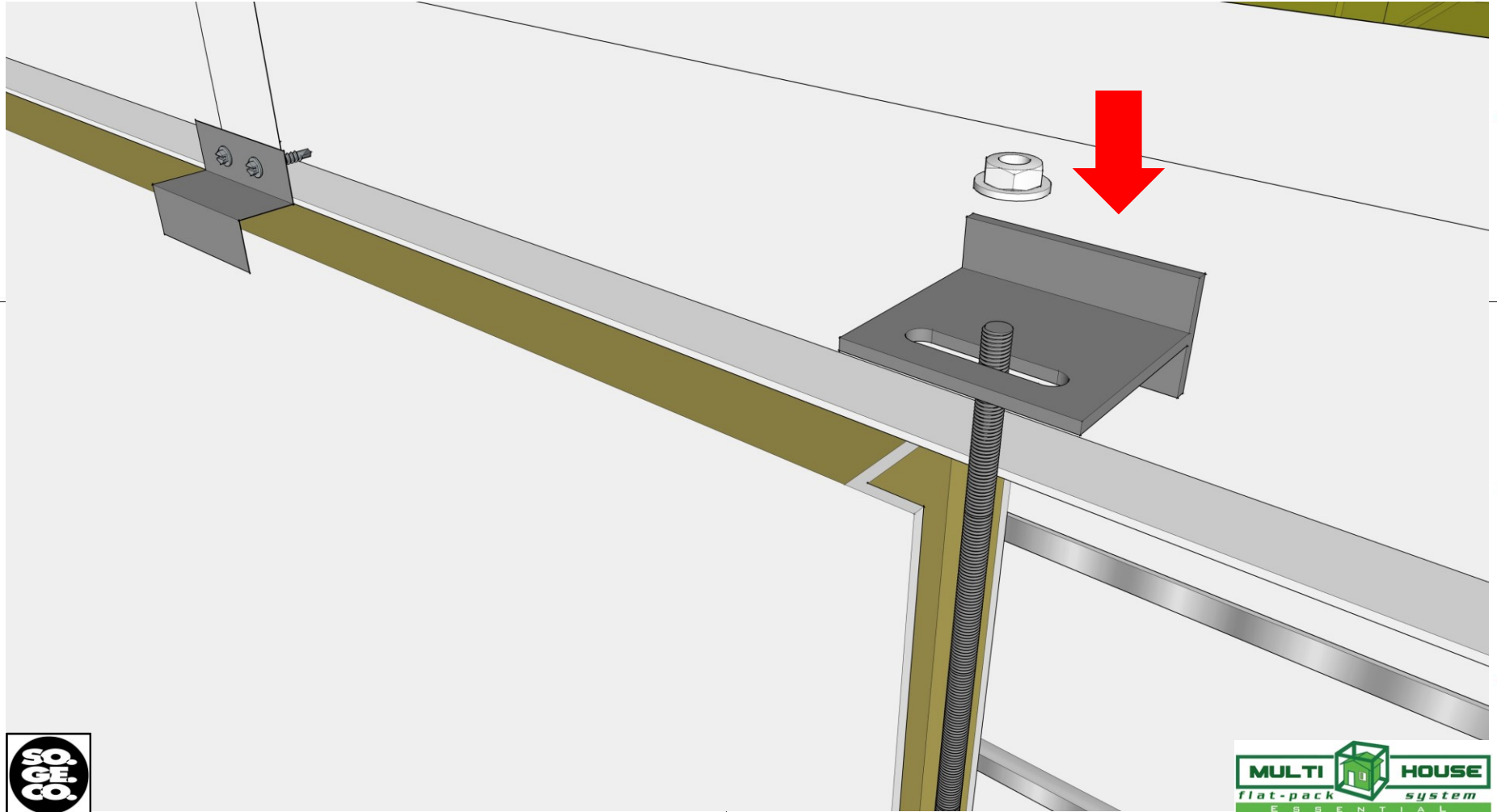
D

E

E

F

F



1

2

3

4

5

6

7

1

2

3

4

5

6

7

8

A

A

Tighten it with M10 bolt and washer

B

B

C

C

D

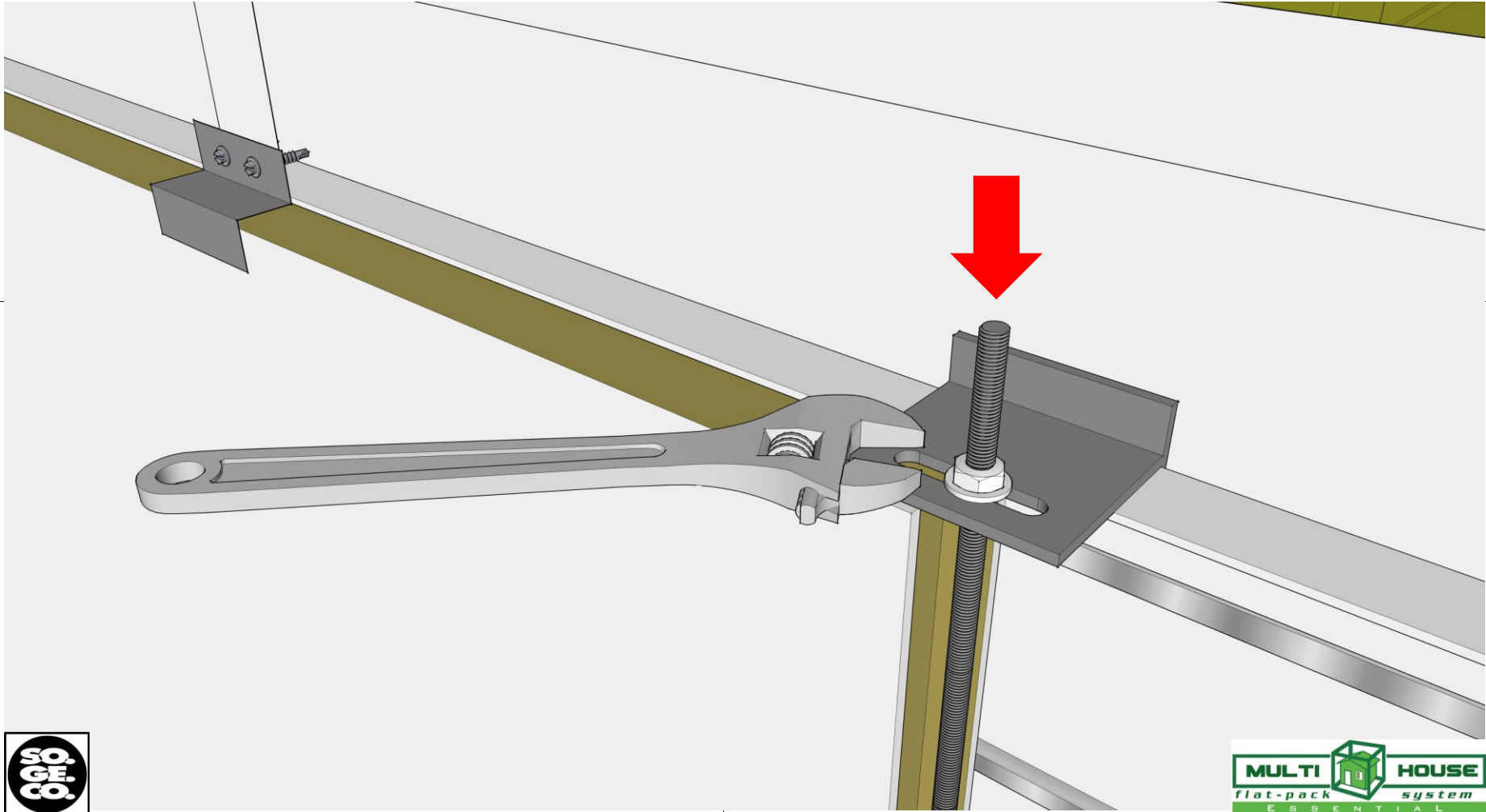
D

E

E

F

F



1

2

3

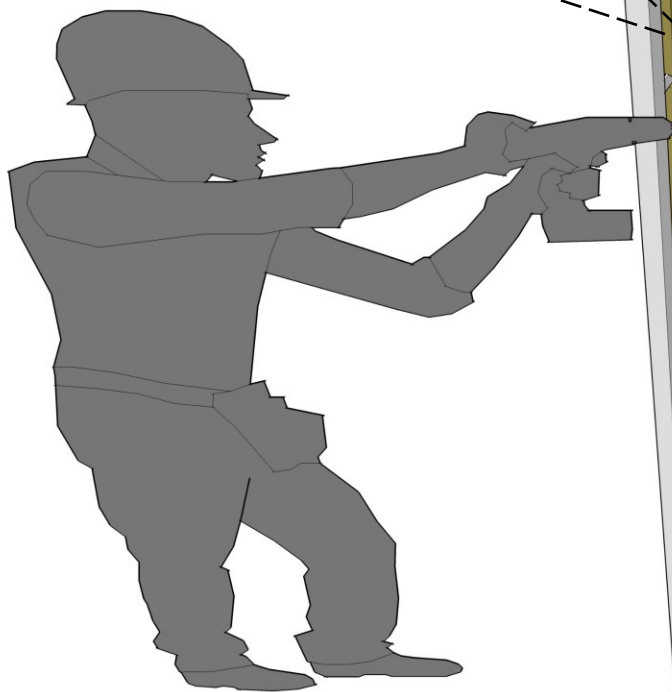
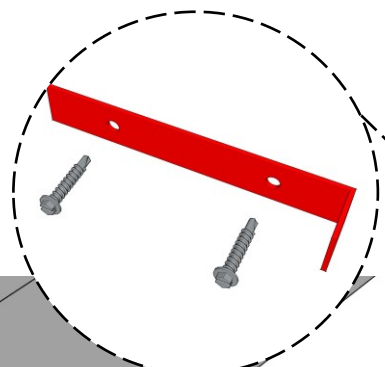
4

5

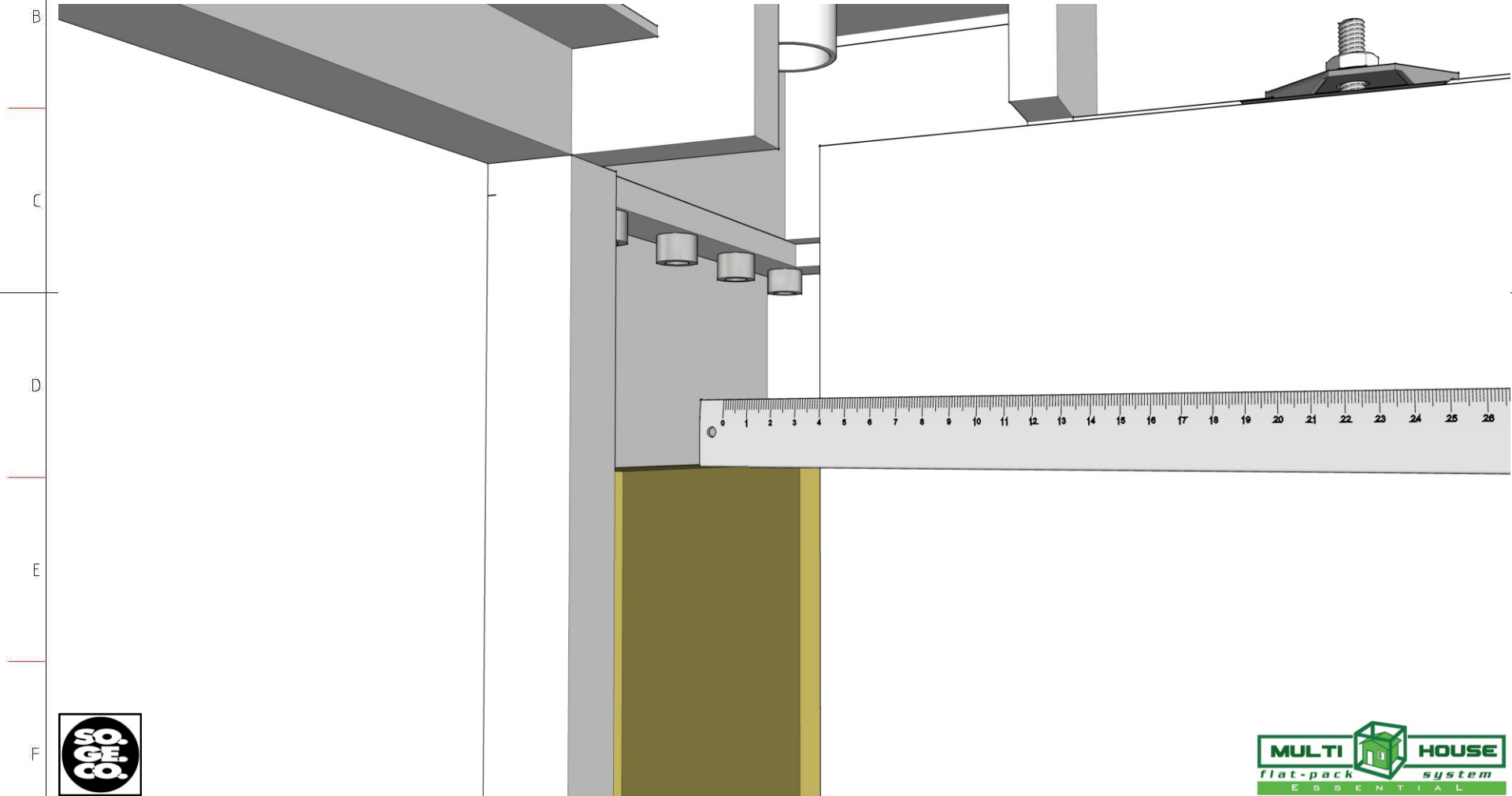
6

7

**In the *long side*, fix the (L-shape) metal spacer with M4x20 screws to the corner post reinforcements to position the panel.
Distance is approx. 130 mm**



In the *short side*, position the panel 40 mm from the corner post



1

2

3

4

5

6

7

8

A

A

Drill a 5cm hole in the corner post reinforcements

B

B

C

C

D

D

E

E

F

F



1

2

3

4

5

6

7

1

2

3

4

5

6

7

8

A

A

Fix the end panels with 90mm long screws

B

B

C

C

D

D

E

E

F

F



1

2

3

4

5

6

7

F

1

2

3

4

5

6

7

8

A

A

Location of corner post reinforcements

B

B

C

C

D

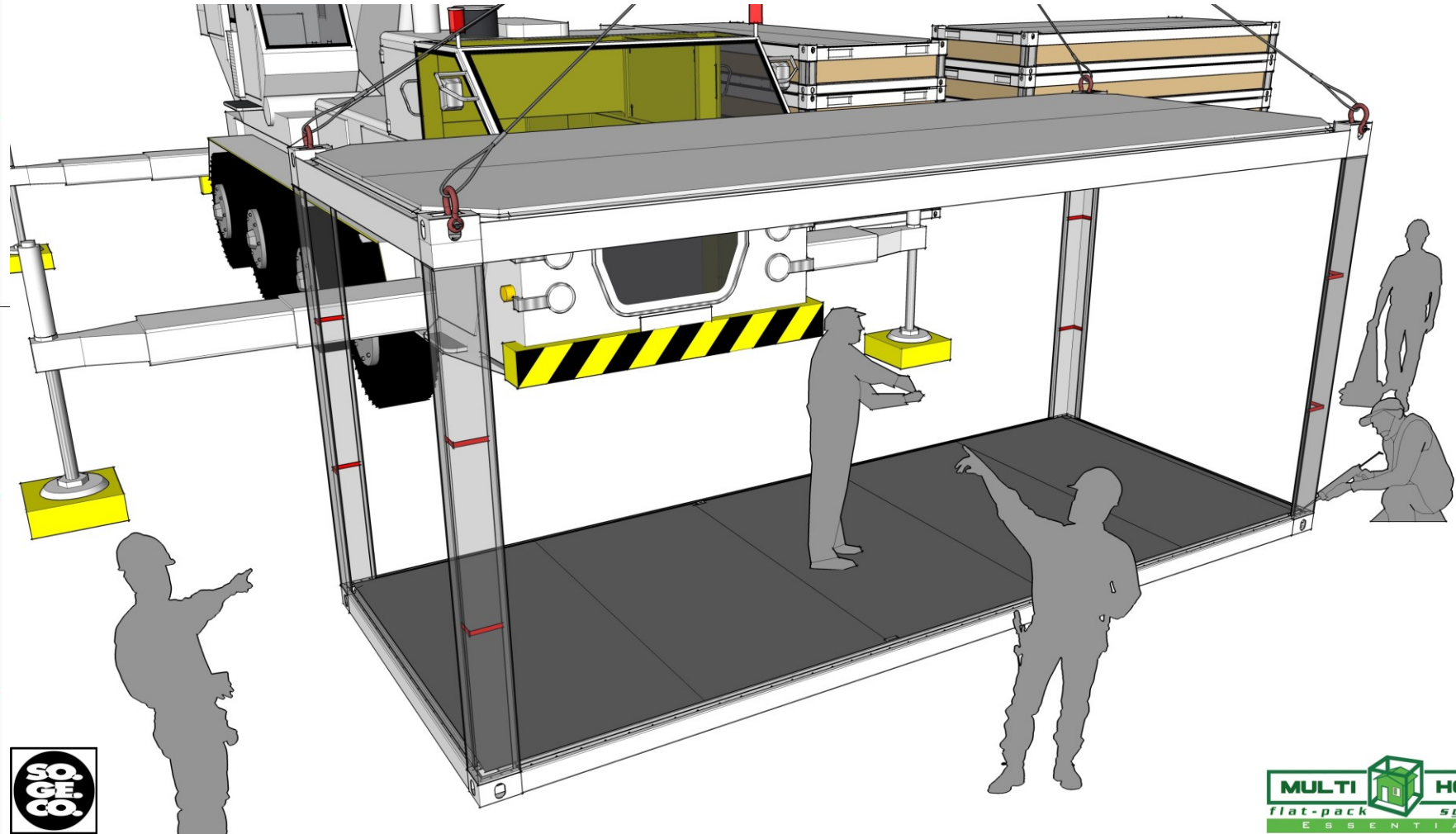
D

E

E

F

F



1

2

3

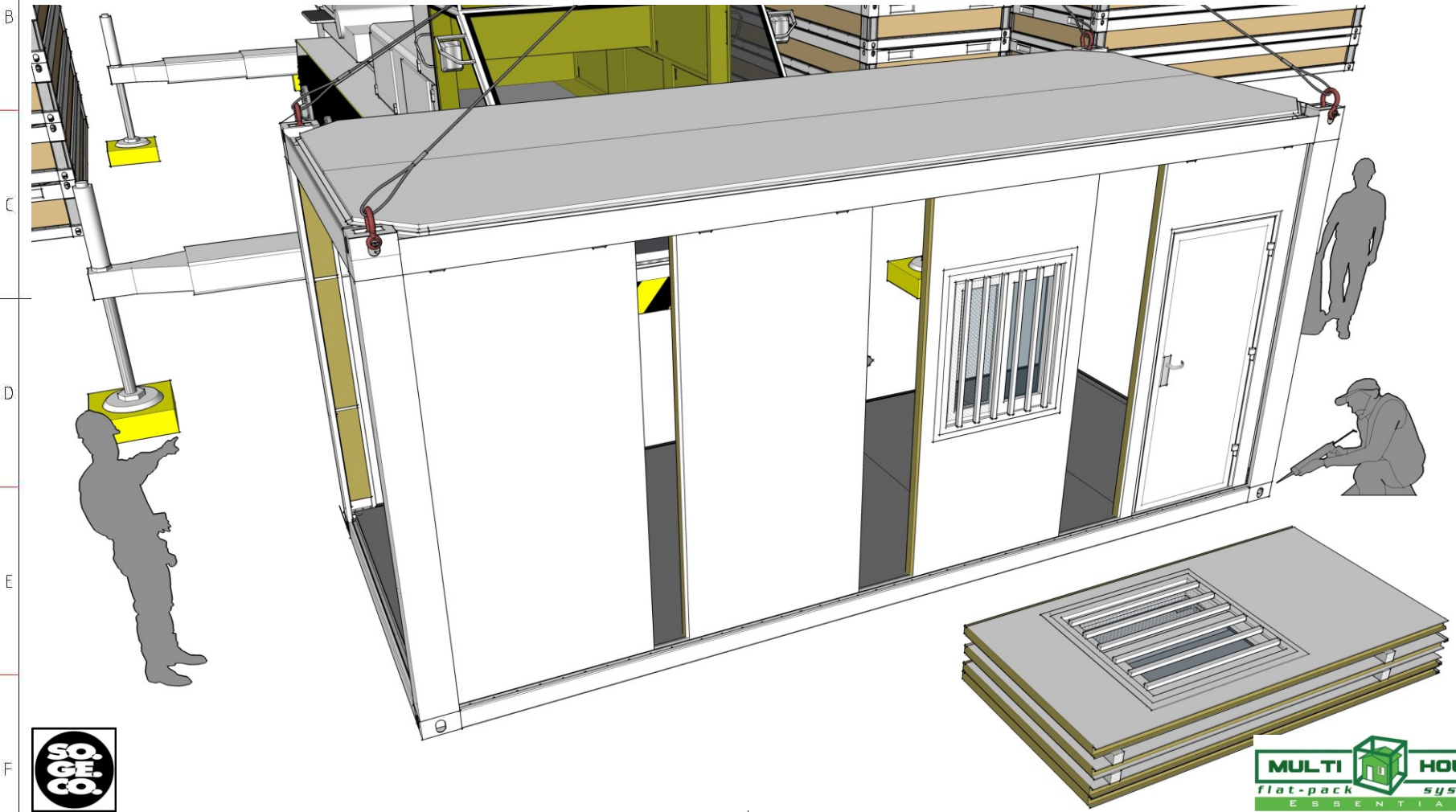
4

5

6

7

**Wall panels are interchangeable,
however, this will affect the
position of sockets and switches
and length of electric cables**



**Fit the PVC drain pipes on 4 corners –
Insert the bottom part, then bend it
a little and push top end to upper
corner**



1

2

3

4

5

6

7

8

A

A

**Wiring system for units with
Sandwich mineral wool panels
Cables installed in between panels**

B

B

C

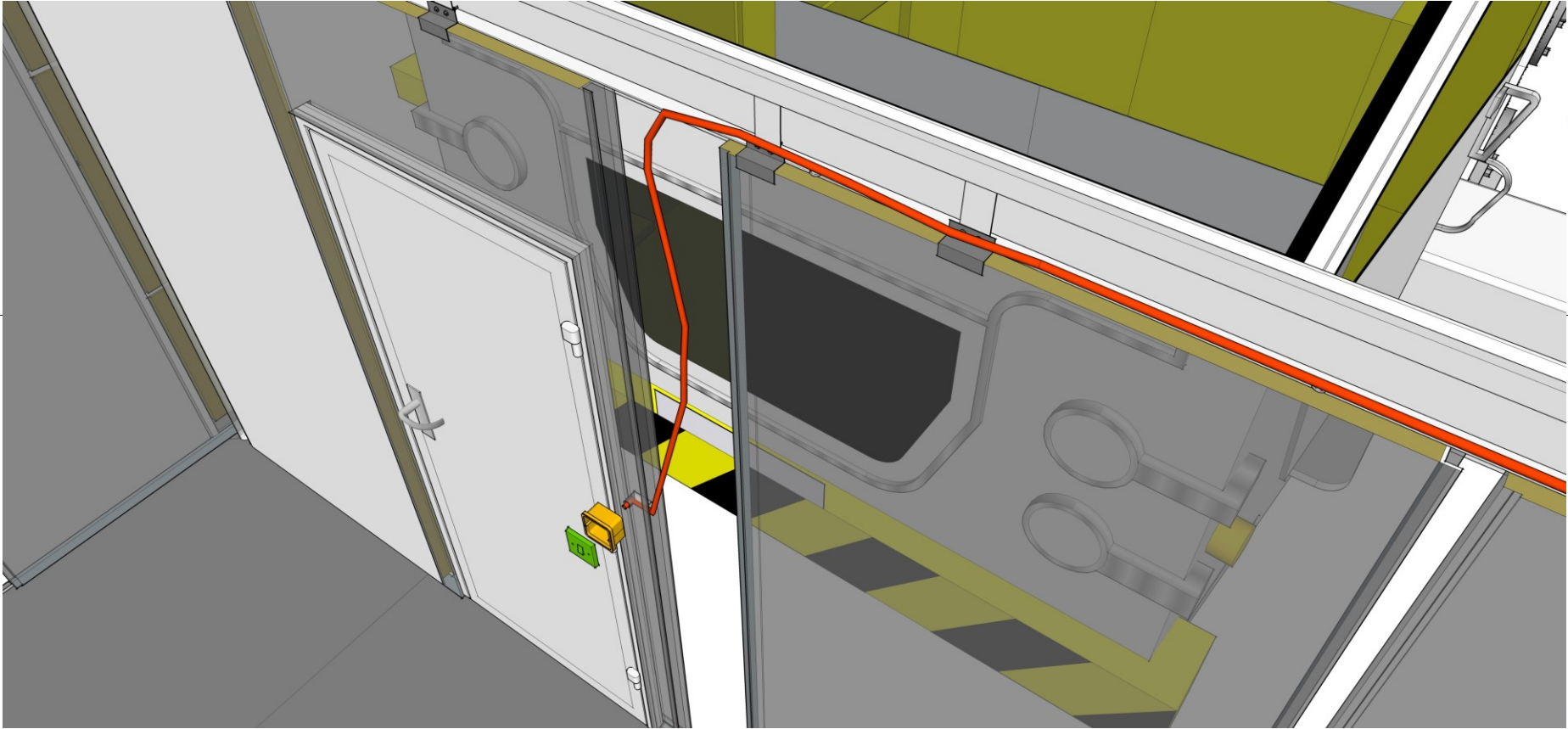
C

D

D

E

E



F

F



1

2

3

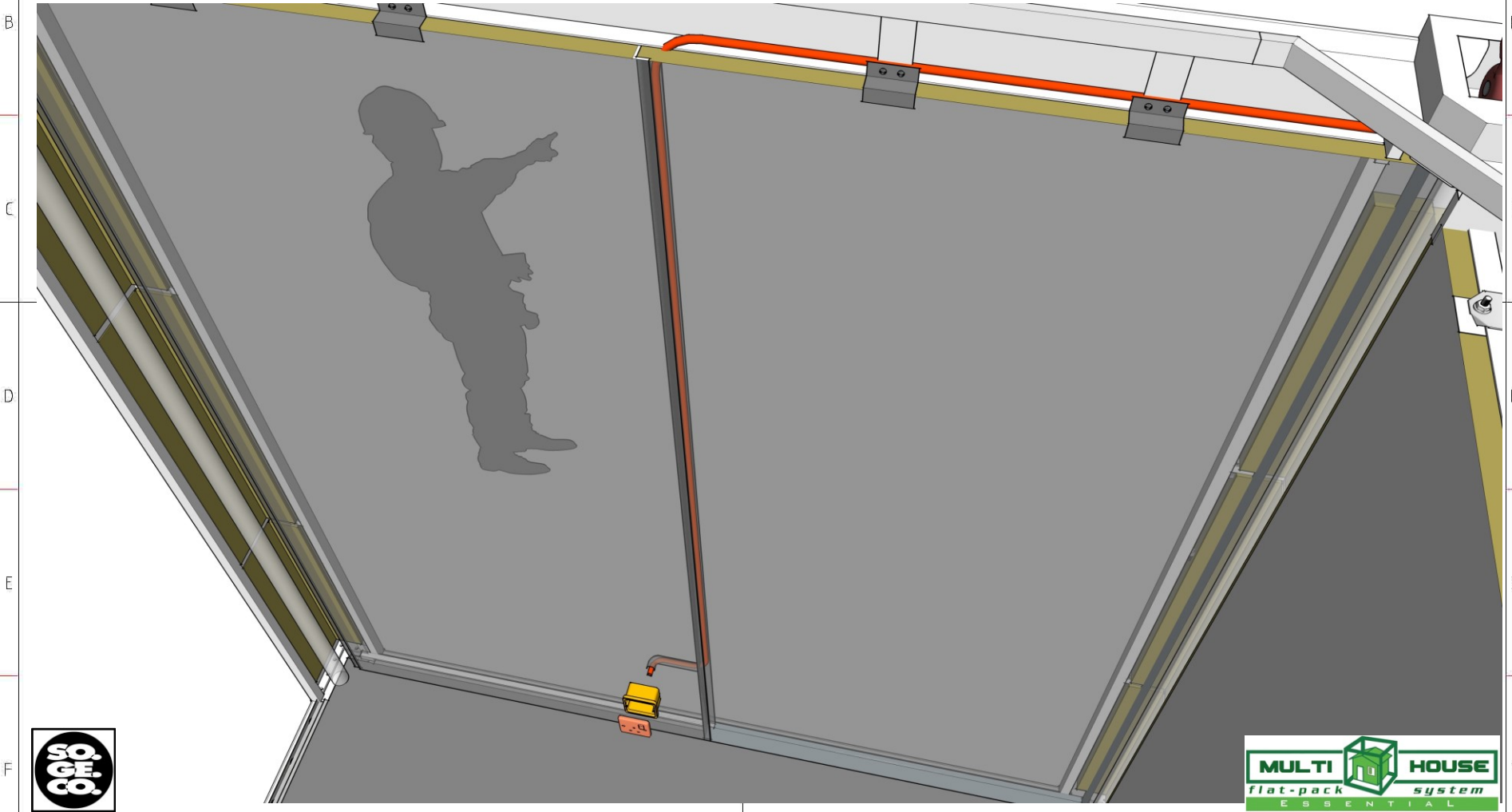
4

5

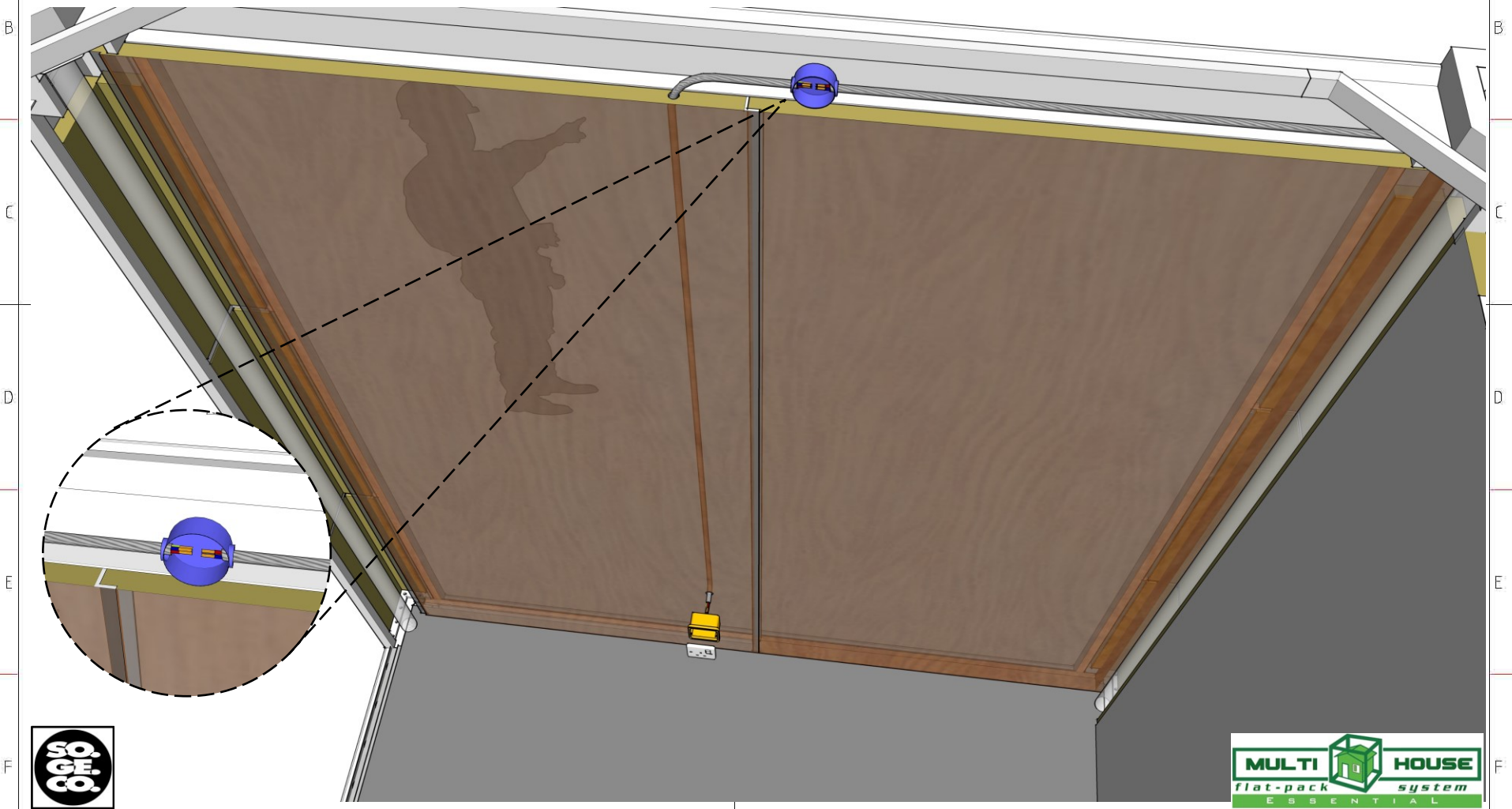
6

7

**Wiring system for units with
Sandwich mineral wool panels
Cables installed in between panels**



**Wiring system for units with
Chipboard panels
Insert pre-wired conduits into junction box**



1

2

3

4

5

6

7

8

A

B

C

D

E

F

A

B

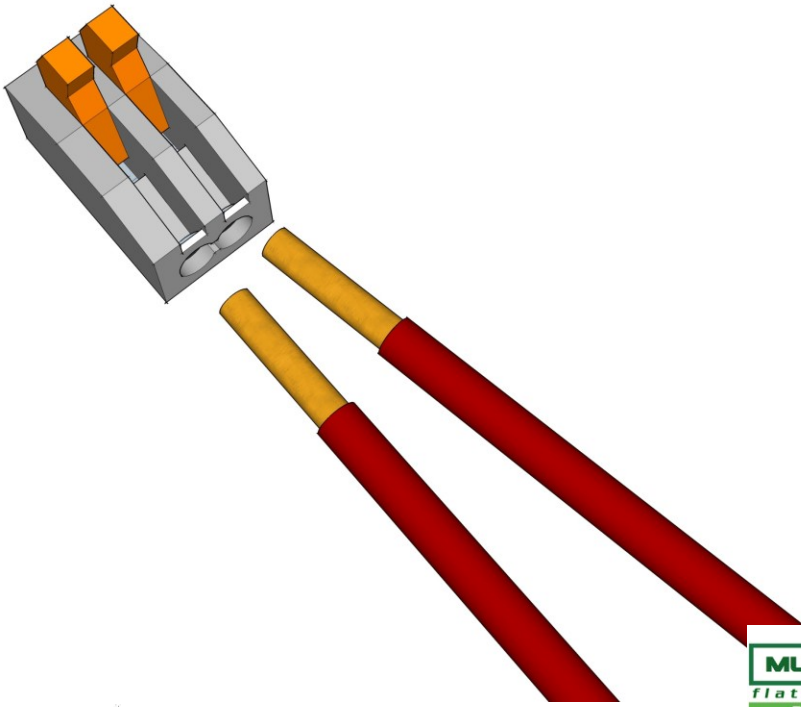
C

D

E

F

**Wiring system for units with
Chipboard panels
Plug cables in the connector**



1

2

3

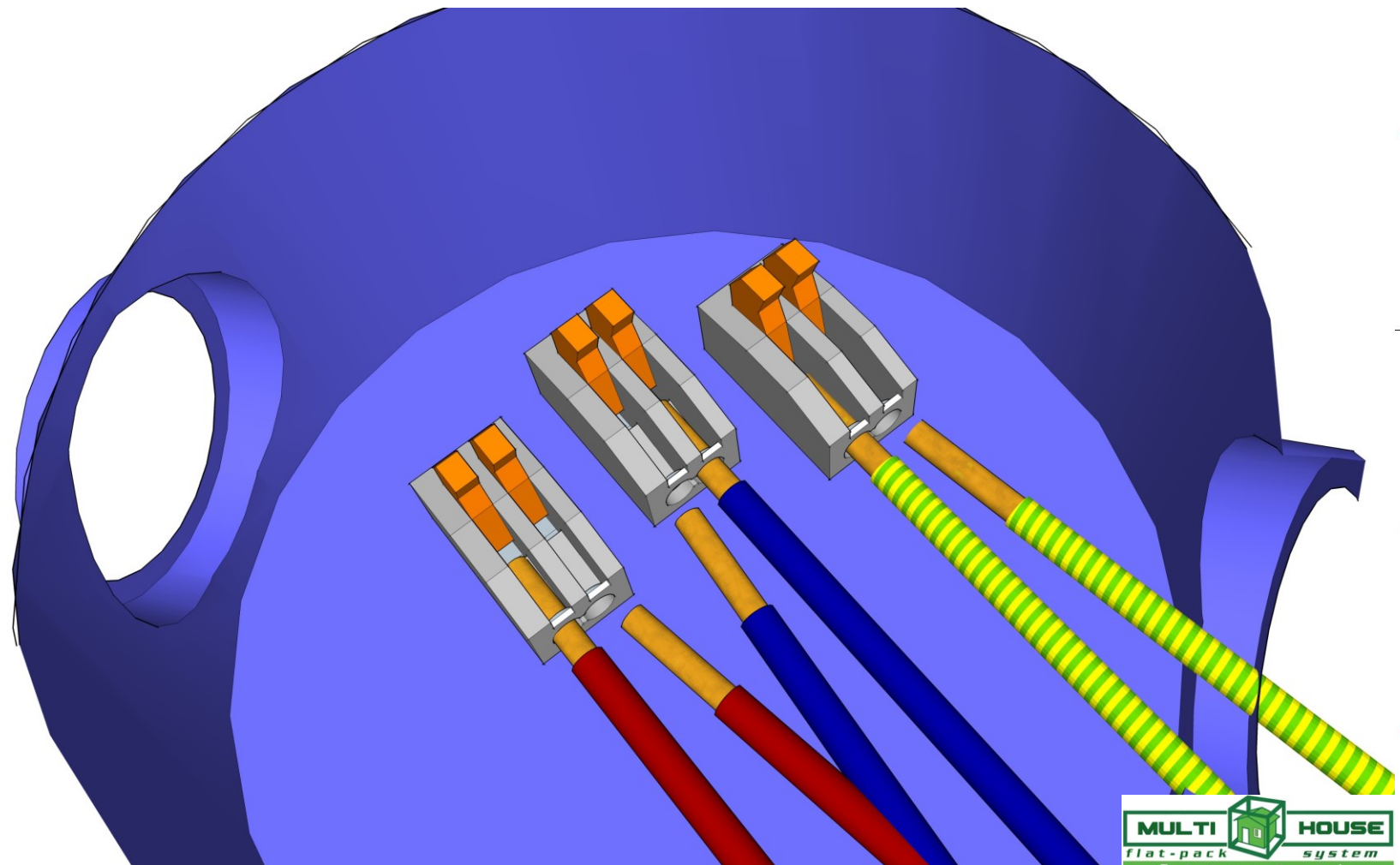
4

5

6

7

**Wiring system for units with
Chipboard panels
Connect all poles (match cable colors)**



1

2

3

4

5

6

7

8

A

A

Install lighting fixtures on ceiling

B

B

C

C

D

D

E

E

F

F



1

2

3

4

5

6

7

8

A

A

Pull the cables through the panel pre-drilled holes

B

B

C

C

D

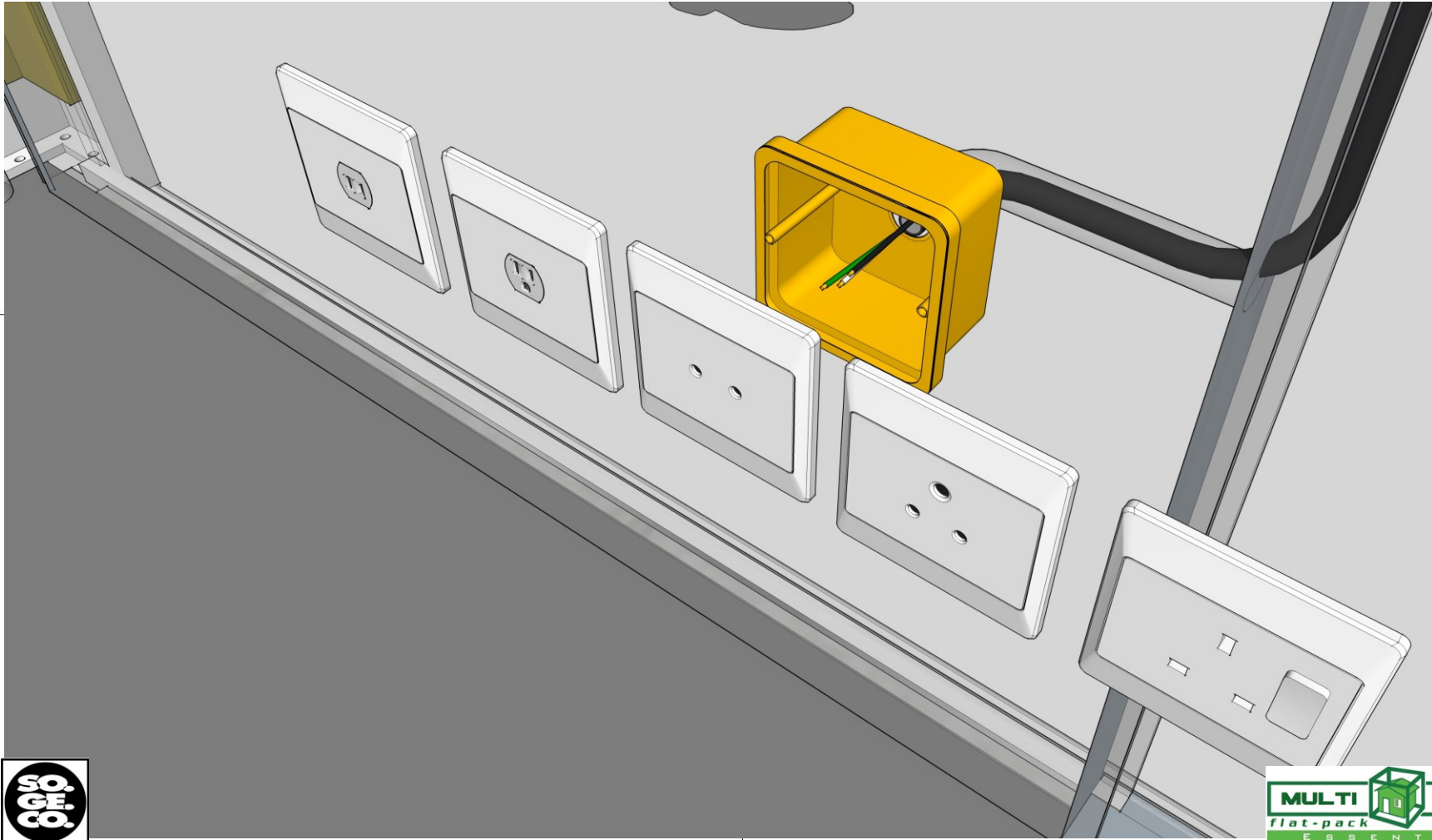
D

E

E

F

F



1

2

3

4

5

6

7

1

2

3

4

5

6

7

8

A

A

Install the cables to the socket/switch and the cover plate

B

B

C

C

D

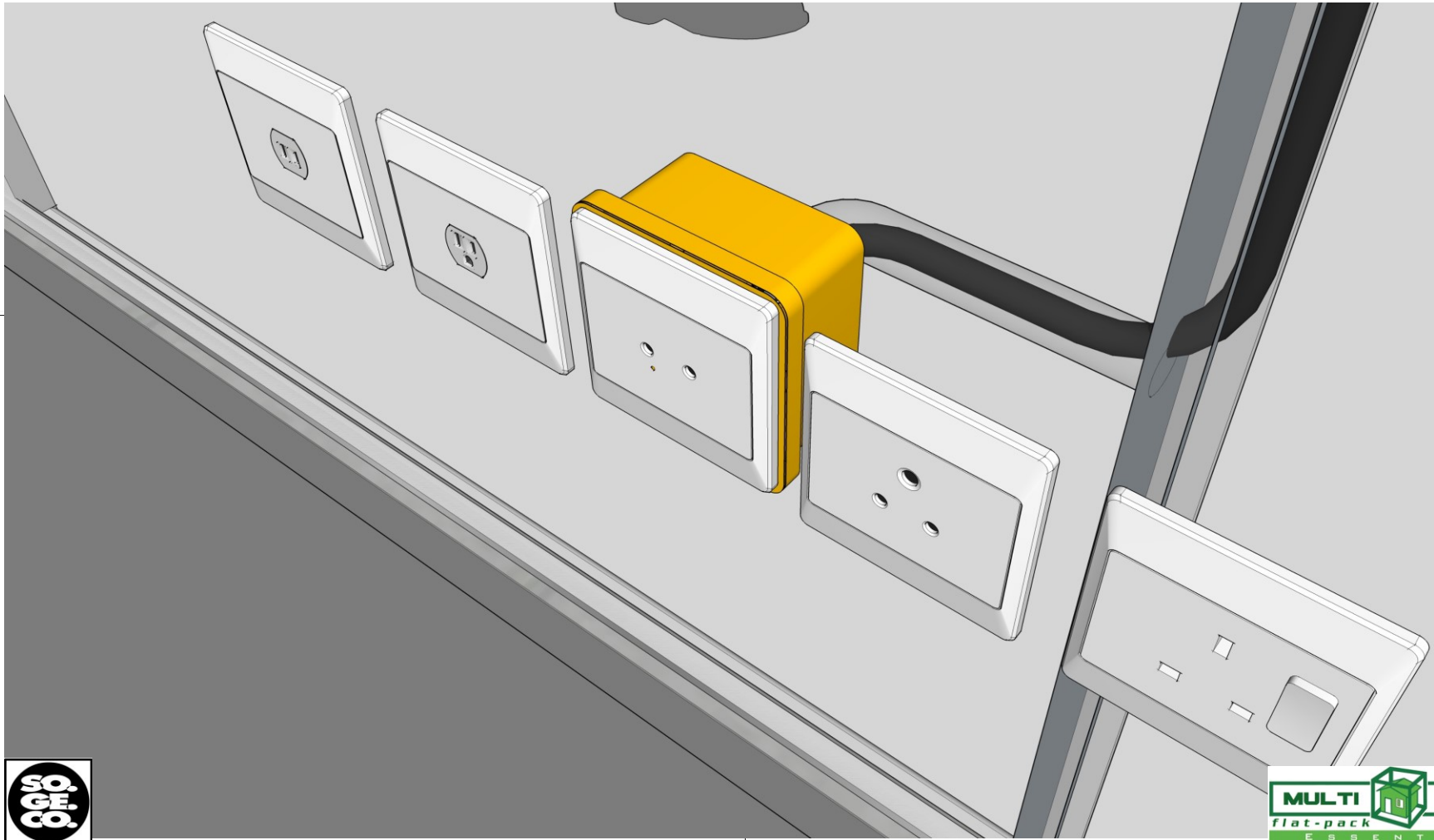
D

E

E

F

F



1

2

3

4

5

6

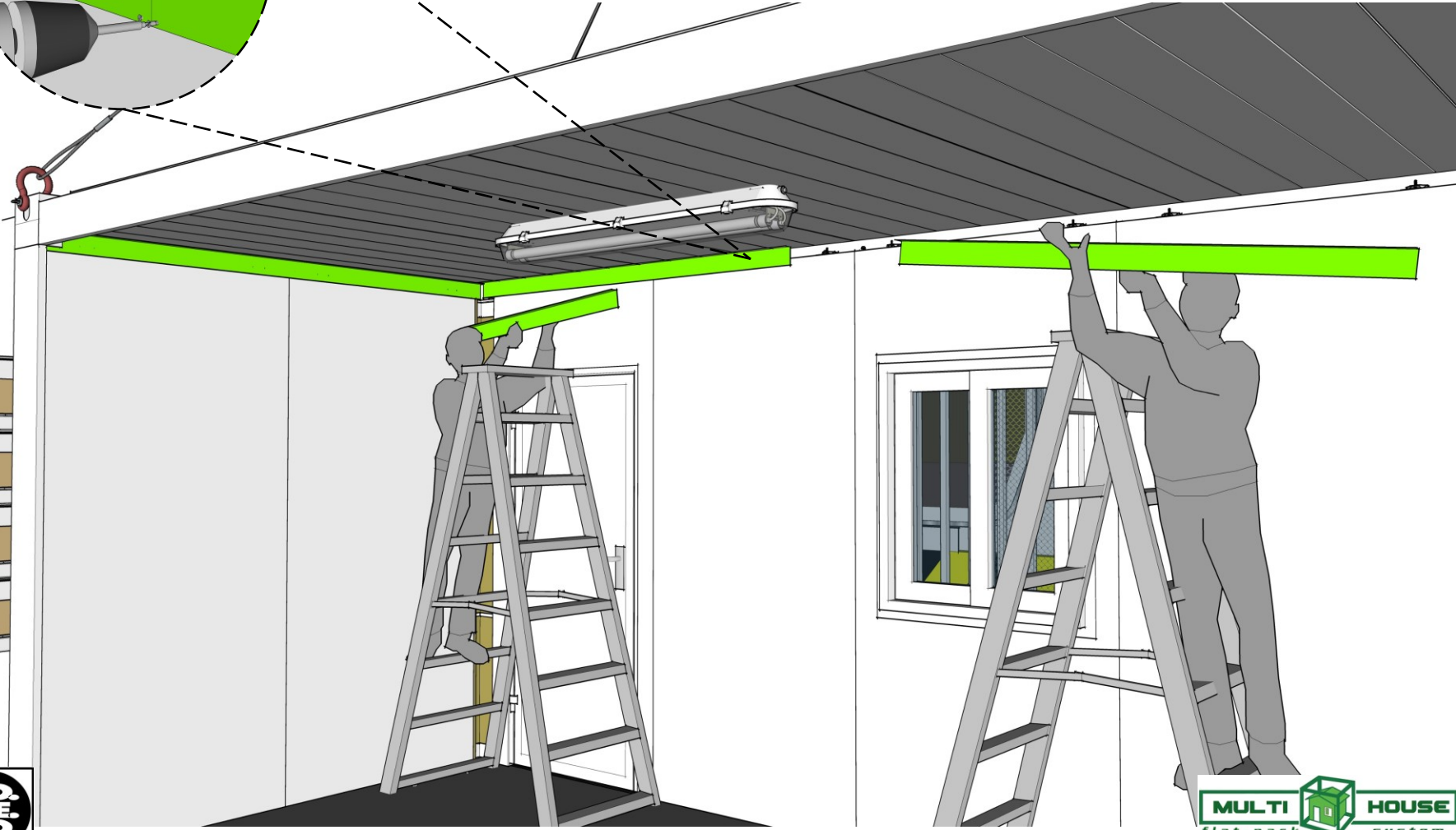
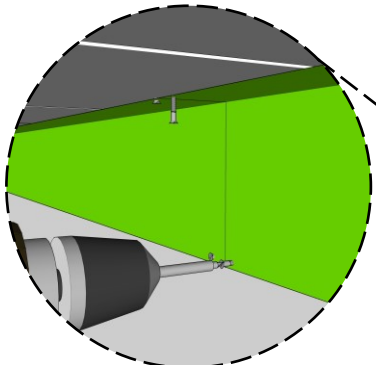
7

1 2 3 4 5 6 7 8

A
B
C
D
E
F

A
B
C
D
E
F

Install the ceiling flashings. Use M5 x 35 and M5 x 90 screws



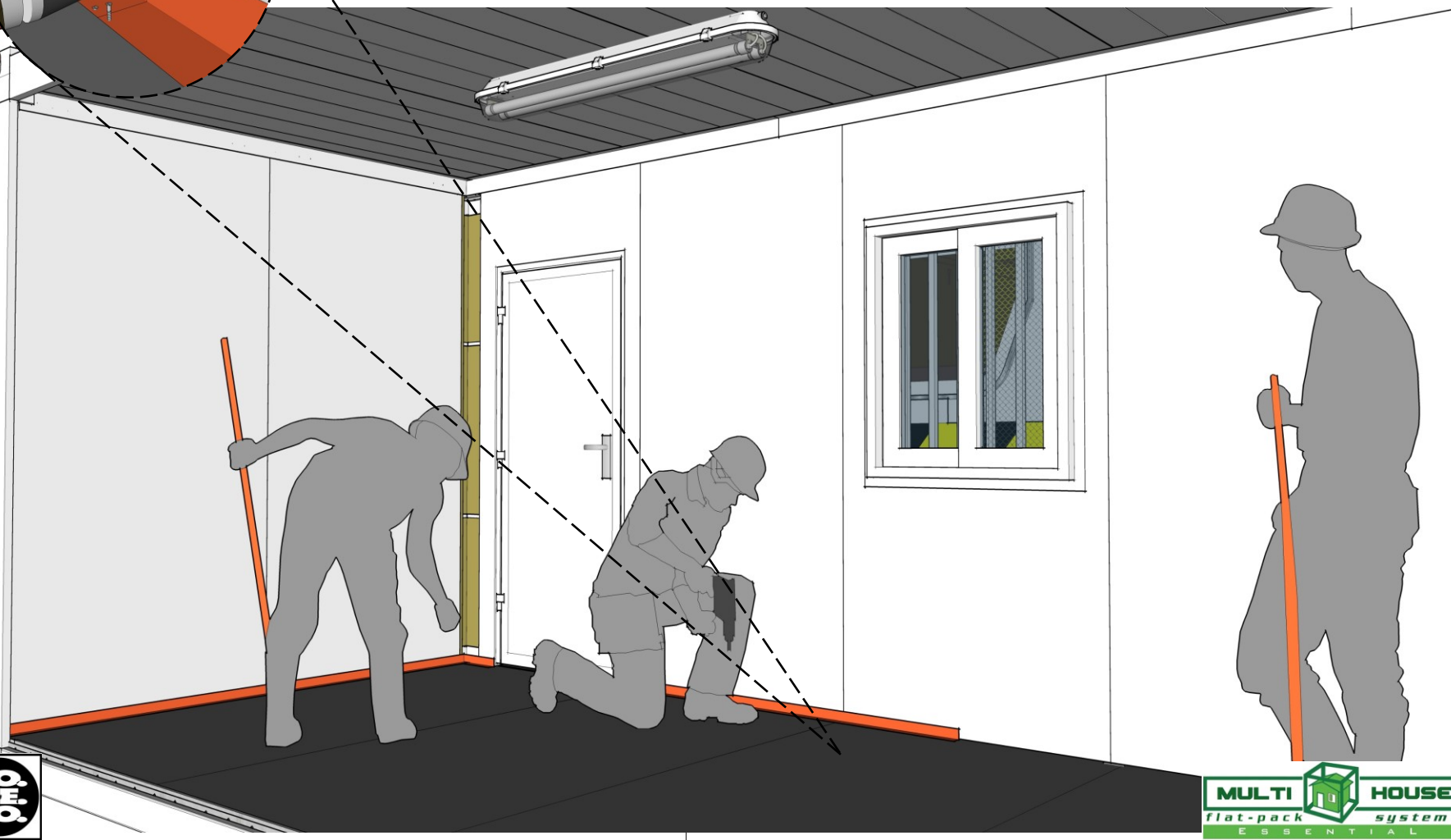
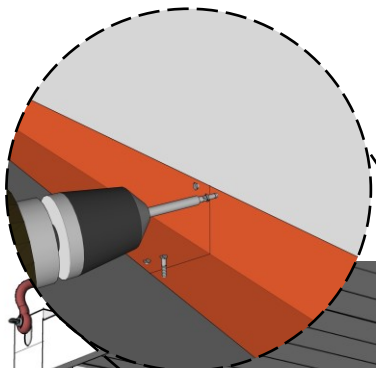
1 2 3 4 5 6 7

1 2 3 4 5 6 7 8

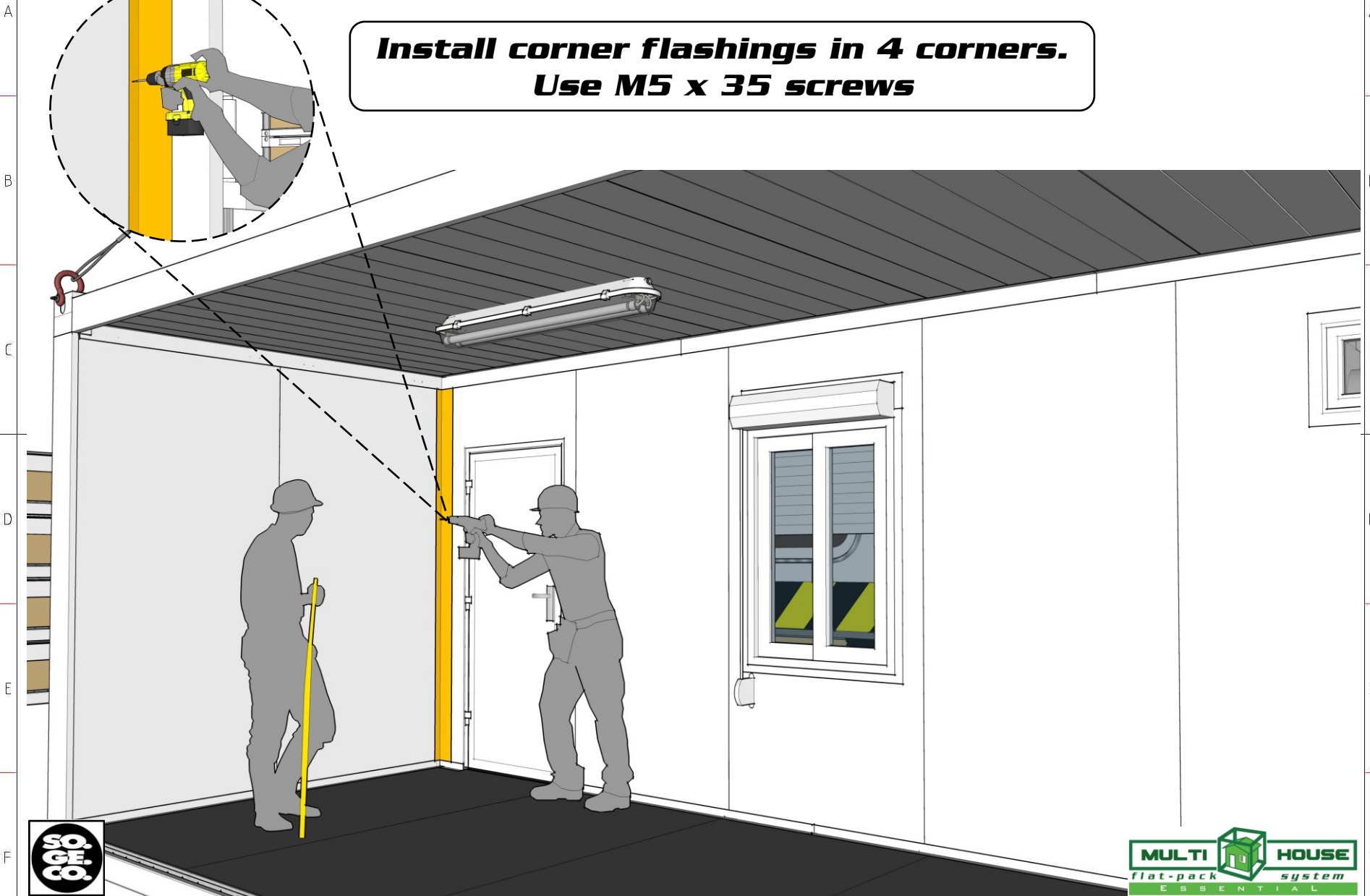
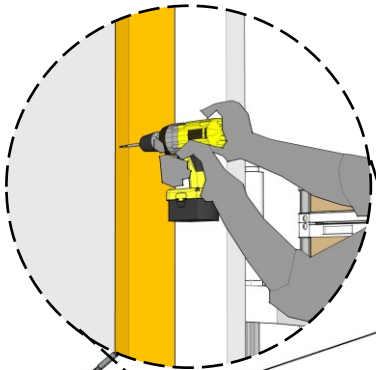
A
B
C
D
E
F

A
B
C
D
E
F

**Install the steel skirtings.
Use M4 x 20 screws**



**Install corner flashings in 4 corners.
Use M5 x 35 screws**



1

2

3

4

5

6

7

8

A

A

Install the external rubber door stopper

B

B

C

C

D

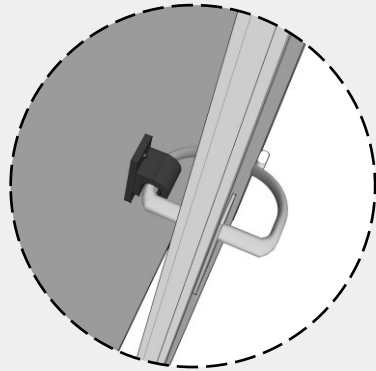
D

E

E

F

F



1

2

3

4

5

6

7

1

2

3

4

5

6

7

8

A

B

C

D

E

F

A

B

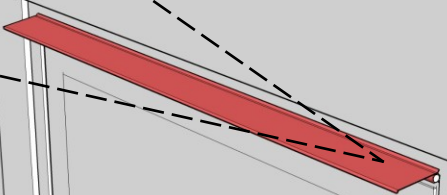
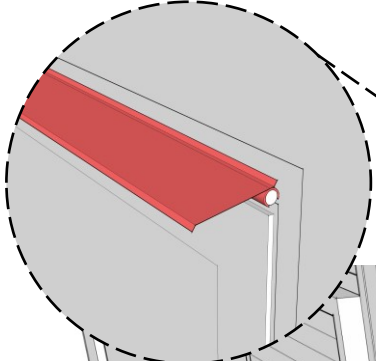
C

D

E

F

Install the door rain gutter



1

2

3

4

5

6

7

8

A

B

C

D

E

F

A

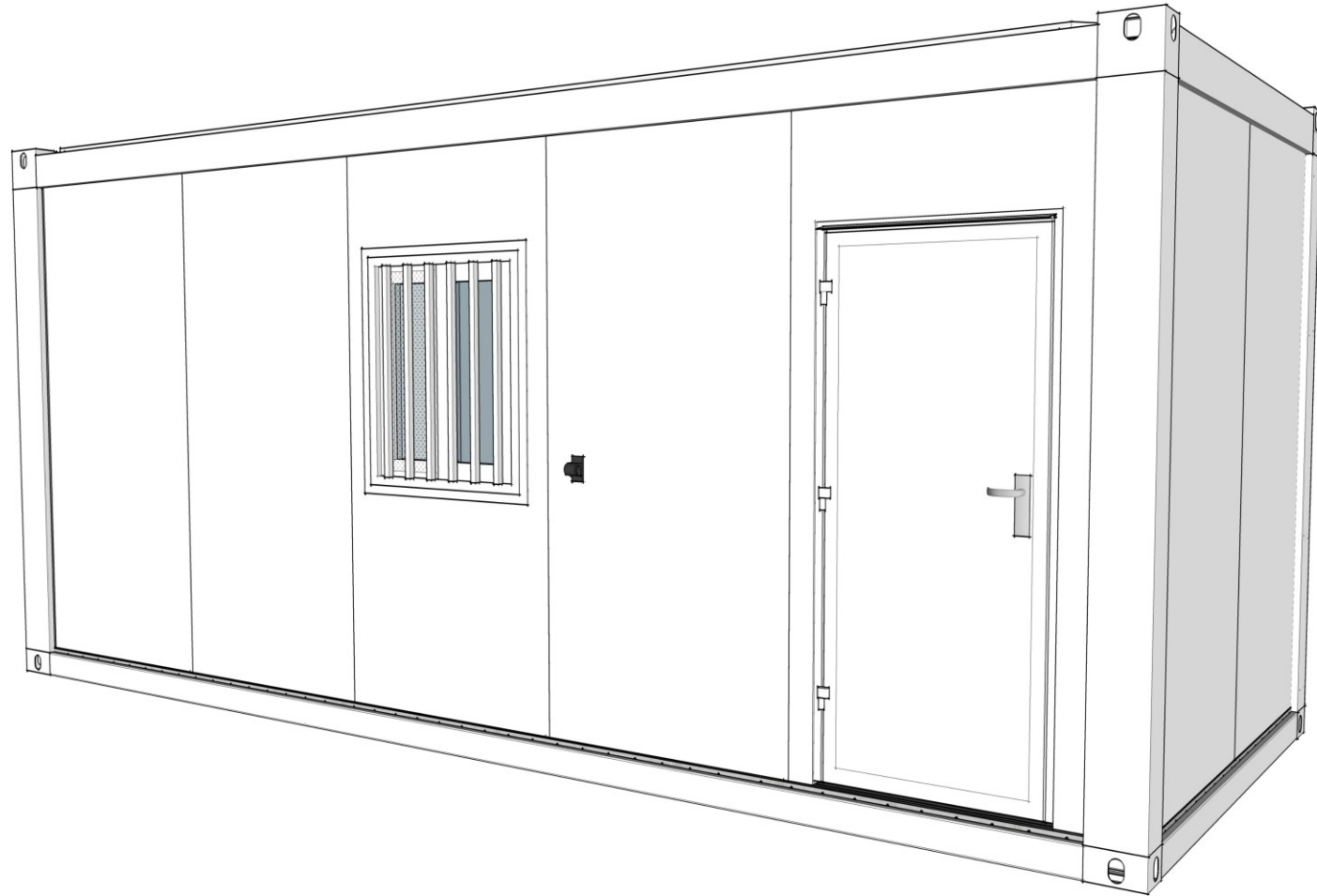
B

C

D

E

F



1

2

3

4

5

6

7

1

2

3

4

5

6

7

8

A

B

C

D

E

F

A

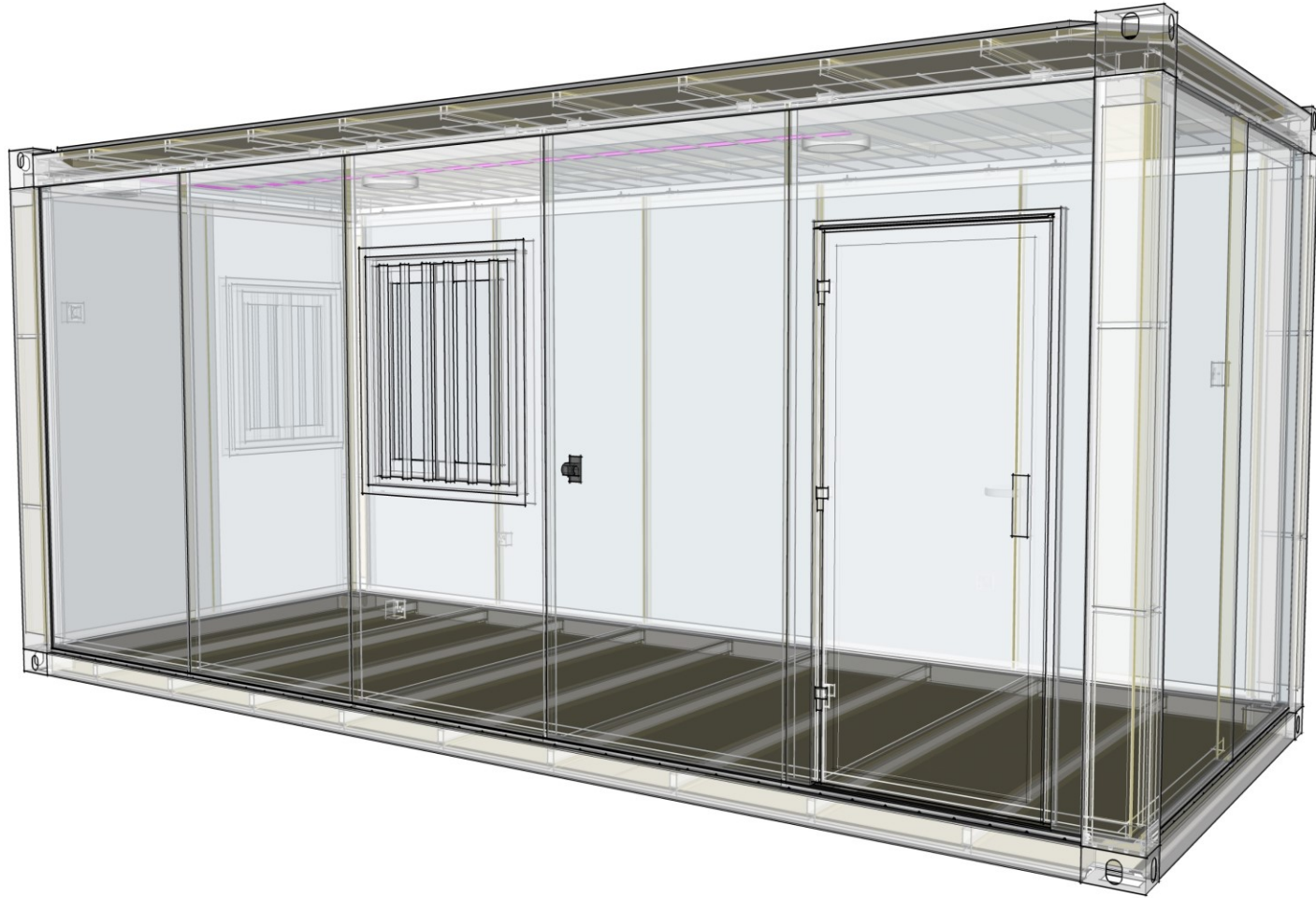
B

C

D

E

F



1

2

3

4

5

6

7

1

2

3

4

5

6

7

8

A

B

C

D

E

F

A

B

C

D

E

F



1

2

3

4

5

6

7